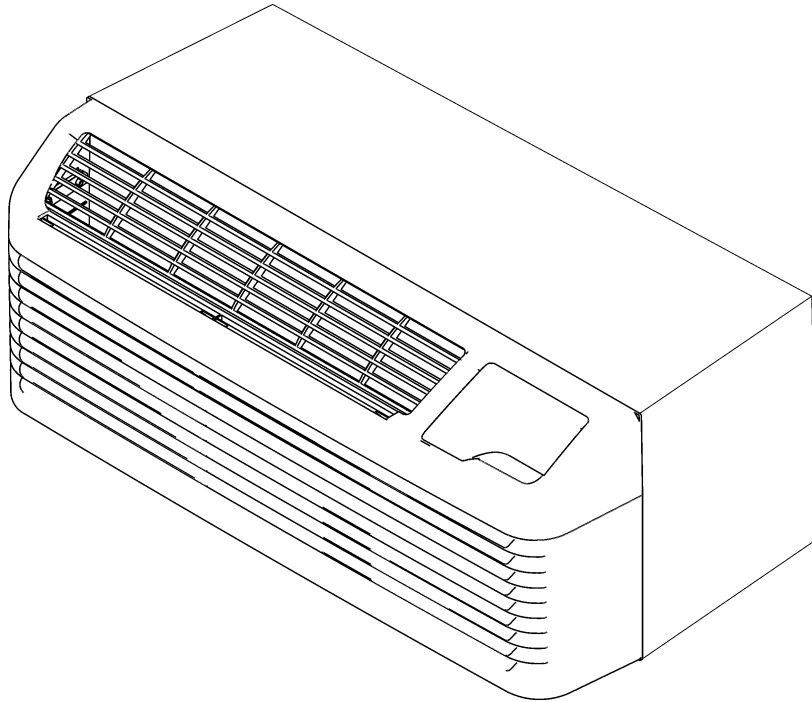


# REPAIR PARTS

---

## PTC073G Series R410A PTAC Coolers

PTC073G00AXXA  
PTC073G00DHXXA  
PTC073G00HRXXA  
PTC073G00HVXXA  
PTC073G00HXXA  
PTC073G00RXXA  
PTC073G15CXXA  
PTC073G25AXXA  
PTC073G25CXXA  
PTC073G25DXXA  
PTC073G25RXXA  
PTC073G25VXXA  
PTC073G35AXXA  
PTC073G35CXXA  
PTC073G35QRXXA  
PTC073G35RXXA



This manual is to be used by qualified technicians only.

This manual replaces RP-690.

© 2009 Goodman Manufacturing Company, L.P. ♦ 5151 San Felipe, Suite 500 ♦ Houston, TX 77056

# Index

Functional Parts List .....	3
Illustration and Parts .....	4 - 13

*Views shown are for parts illustrations only, not servicing procedures*

Models with 5mm condenser coils.

### Text Codes:

AR - As Required

NA - Not Available

NS - Not Shown

00000000 - See Note

QTY - Quantity Example (QTY 3) (If Quantity not shown, Quantity = 1)

M - Model Example (M1) (If M Code not shown, then part is used on all Models)

### Expanded Model Nomenclature:

Example M1 - Model#1 M2 - Model#2 M3 - Model#3
---

Goodman Manufacturing Company, L.P. is not responsible for personal injury or property damage resulting from improper service. Review all service information before beginning repairs.

Warranty service must be performed by an authorized technician, using authorized factory parts. If service is required after the warranty expires, Goodman Manufacturing Company, L.P. also recommends contacting an authorized technician and using authorized factory parts.

Goodman Manufacturing Company, L.P. reserves the right to discontinue, or change at any time, specifications or designs without notice or without incurring obligations.

For assistance within the U.S.A. contact:

Consumer Affairs Department  
Goodman Manufacturing Company, L.P.  
7401 Security Way  
Houston, Texas 77040  
877-254-4729-Telephone  
713-863-2382-Facsimile

For assistance outside the U.S.A. contact:

International Division  
Goodman Manufacturing Company, L.P.  
7401 Security Way  
Houston, Texas 77040  
713-861-2500-Telephone  
713-863-2382-Facsimile

# Functional Parts

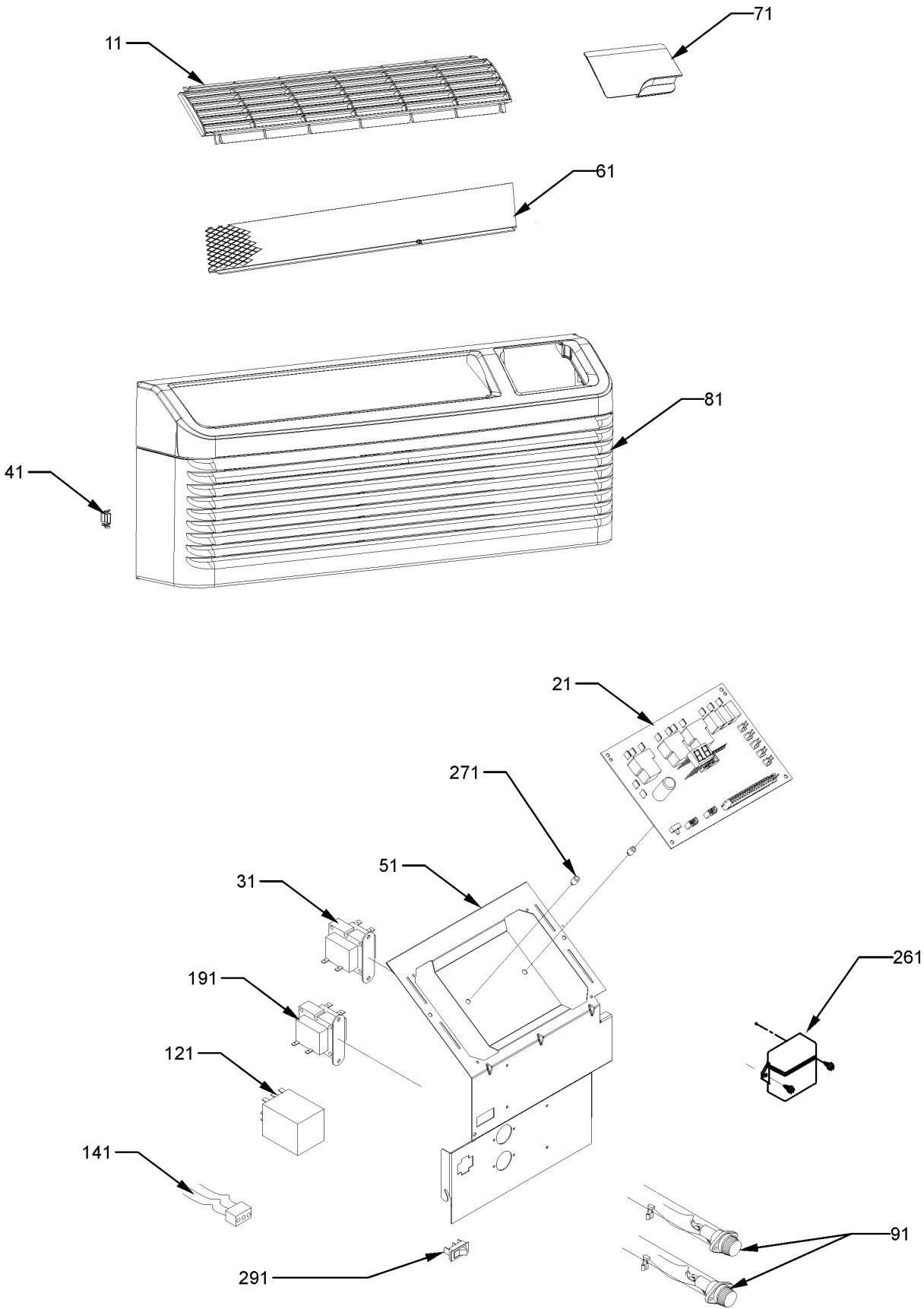
## Part

## No: Description:

---

CAP020200450RS	CAP, 2/20 MFD/450V/DUAL RD
CAP020000440P	CAPACITOR, 440V
CAP020000440RP	CAPACITOR, 440V
	For serial numbers after 1210 use CAP020000440RP
39A162A	COMPRESSOR, RECHI
RSKP0010	CONTROL BOARD M61
RSKP0005	CONTROL PANEL COVER AND MEMBRANE
0131P00006	FAN MOTOR, INDOOR
0131P00027	FAN MOTOR, OUTDOOR
0161P00030	FAN, CONDENSER
0275P00019	HEATER ASSY (M8, M9, M10, M11, M12)
0275P00020	HEATER ASSY (M13, M14, M15, M16)
0275P00022	HEATER ASSY (M7)
11172801	POWER VENT MOTOR (M2, M4, M10, M12)
0130M00096	RELAY
C8873917	RELAY (HYDRONIC) (M2, M3, M4, M5)
C8873932	RELAY (POWER VENT) (M2, M4, M10, M12)
B1160701	TERMINAL BOARD (M2, M4, M10, M12)
0130P00038	THERMISTOR-DISCHARGE
20295709	THERMISTOR-HEAT PUMP (M3, M6, M11, M15, M16)
0130P00046	THERMISTOR-INDOOR AMBIENT
20295707	THERMISTOR-INDOOR COIL
0130P00039	THERMISTOR-OUTDOOR AMBIENT (M3, M6, M11, M15, M16)
B1378501	TRANSFORMER (M2, M3, M4, M5, M10, M12)
20512501	TRANSFORMER (HYDRONIC) (M1, M6, M7, M8, M9, M10, M11, M12, M13, M14, M15, M16)
0150P00004	WHEEL, BLOWER

# Control Panel / Front Assembly



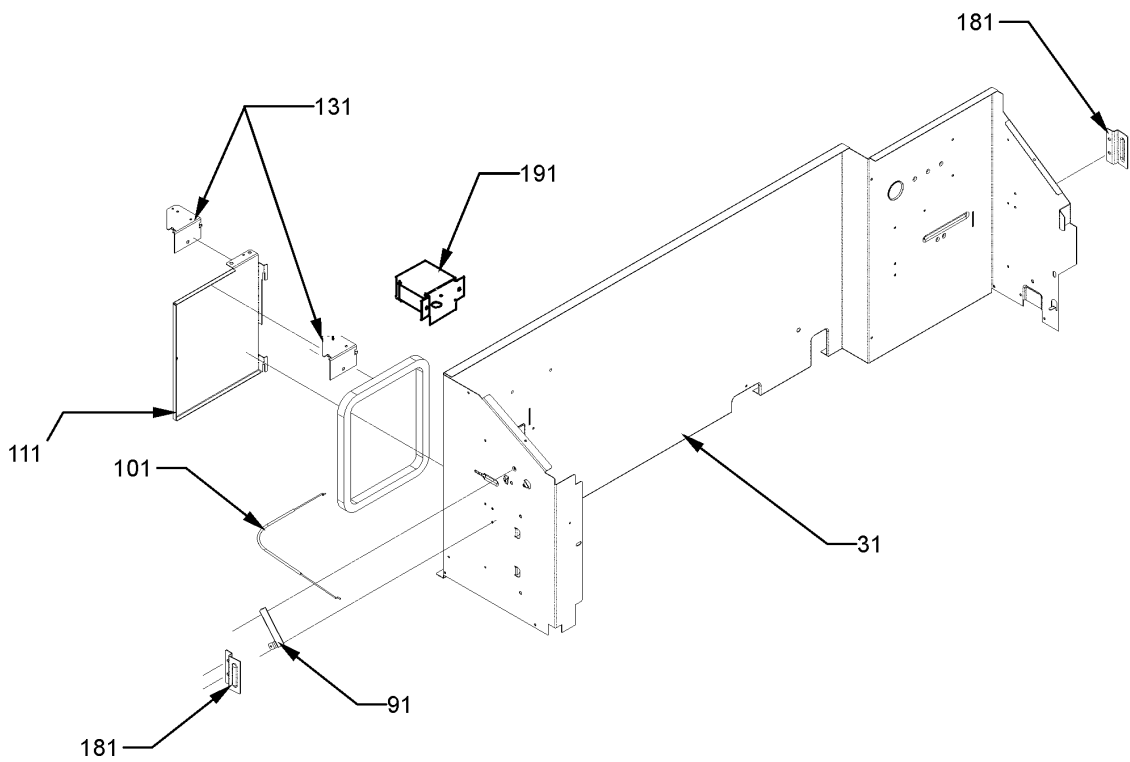
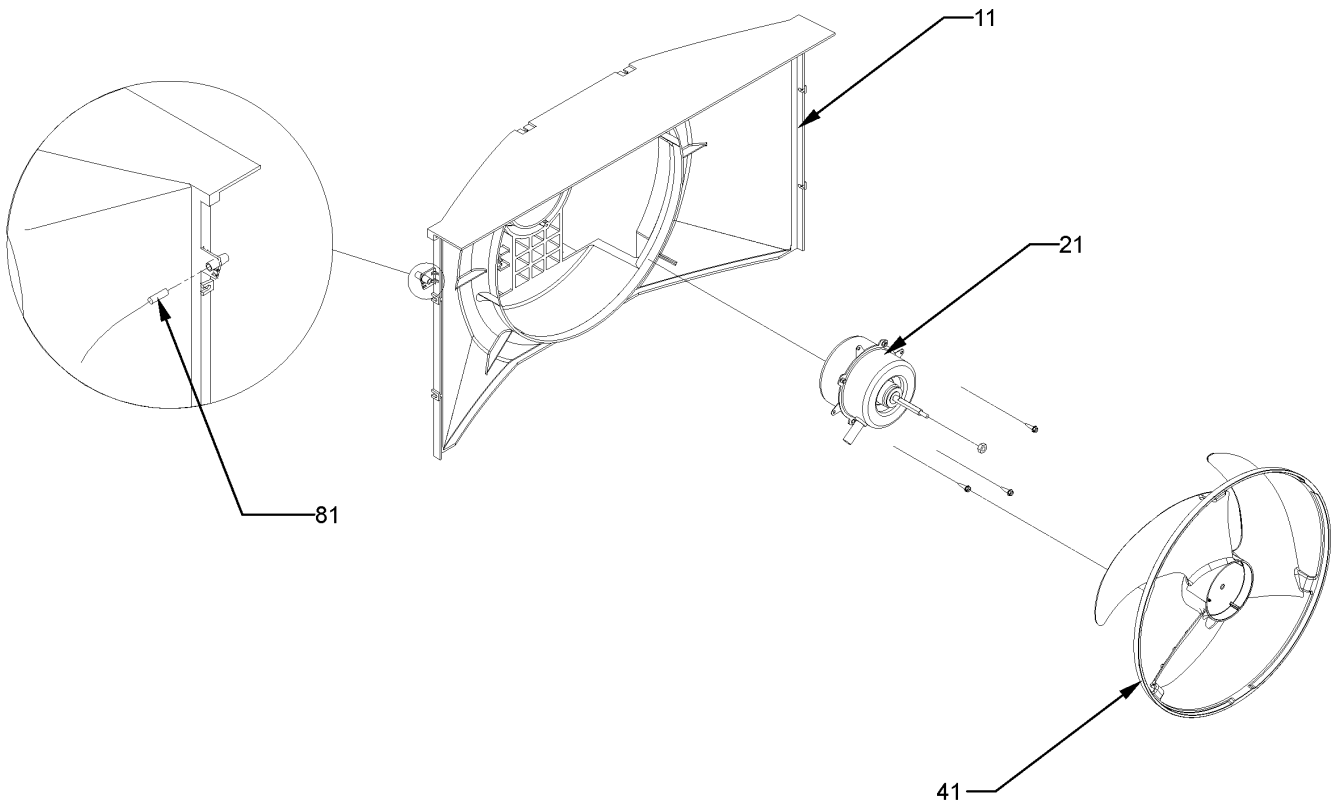
# Control Panel / Front Assembly

Ref. Part No:	No:	Description:	Ref. Part No:	No:	Description:
<i>Image 1:</i>					
11	0161P00033	FRONT-DICHARGE LOUVERS (M1, M6, M7, M8, M9, M10, M11, M12, M13, M14, M15, M16)			
21	RSKP0010	CONTROL BOARD M61			
31	20512501	TRANSFORMER (HYDRONIC) (M1, M6, M7, M8, M9, M10, M11, M12, M13, M14, M15, M16)			
41	0163P00025	CLIP (M1, M6, M7, M8, M9, M10, M11, M12, M13, M14, M15, M16)			
51	0121P00087	PANEL, CONTROL			
61	0121P00073DG	DISCHARGE SCREEN, PNT (M1, M6, M7, M8, M9, M10, M11, M12, M13, M14, M15, M16)			
71	0261P00003	DOOR ASSY -AMANA- (M1, M6, M7, M8, M9, M10, M11, M12, M13, M14, M15, M16)			
81	0261P00011	FRONT ASSY (M1, M6, M7, M8, M9, M10, M11, M12, M13, M14, M15, M16)			
121	0130M00096	RELAY			
121	C8873917	RELAY (HYDRONIC) (M2, M3, M4, M5)			
121	C8873932	RELAY (POWER VENT) (M2, M4, M10, M12)			
141	0259P00009	HARNESS, HYDR HT PTC (M2, M3, M4, M5)			
191	B1378501	TRANSFORMER (M2, M3, M4, M5, M10, M12)			
291	B1337701	PADDLE SWITCH (M2, M4, M10, M12)			
NS	0161P00035	FILTER, RACK (M1, M6, M7, M8, M9, M10, M11, M12, M13, M14, M15, M16)			
NS	B1160701	TERMINAL BOARD (M2, M4, M10, M12)			

Expanded Model Nomenclature

- M1 - PTC073G00AXXXAA
- M2 - PTC073G00DHXXAA
- M3 - PTC073G00HRXXAA
- M4 - PTC073G00HVXXAA
- M5 - PTC073G00HXXXAA
- M6 - PTC073G00RXXXAA
- M7 - PTC073G15CXXXAA
- M8 - PTC073G25AXXXAA
- M9 - PTC073G25CXXXAA
- M10 - PTC073G25DXXXAA
- M11 - PTC073G25RXXXAA
- M12 - PTC073G25VXXXAA
- M13 - PTC073G35AXXXAA
- M14 - PTC073G35CXXXAA
- M15 - PTC073G35QRXXAA
- M16 - PTC073G35RXXXAA

# Condenser Fan / Partition Assembly



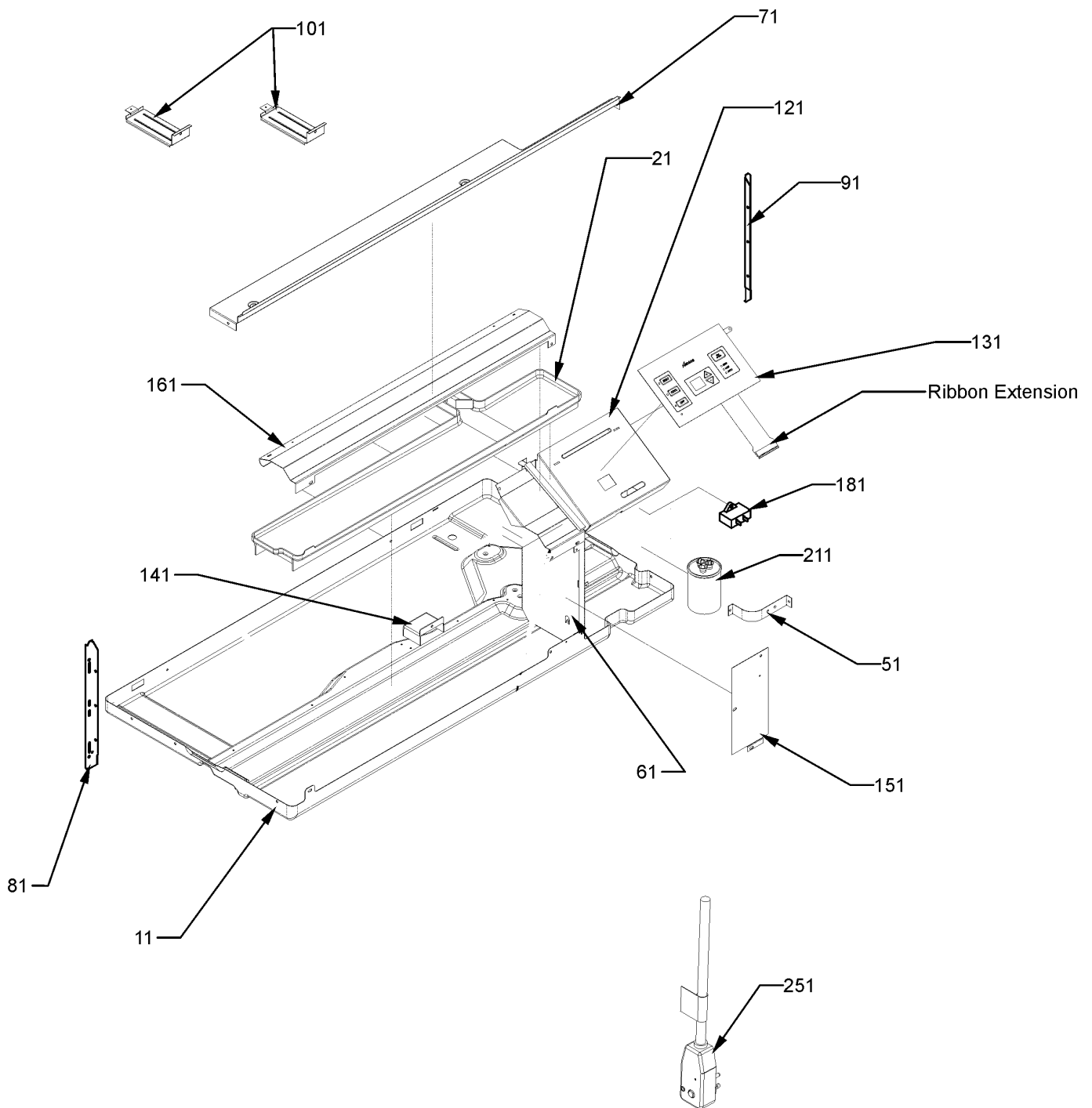
# Condenser Fan / Partition Assembly

Ref. Part No:	No:	Description:	Ref. Part No:	No:	Description:
<i>Image 1:</i>					
11	0161P00026	SHROUD, CONDENSER			
21	0131P00027	FAN MOTOR, OUTDOOR			
41	0161P00030	FAN, CONDENSER			
81	0130P00039	THERMISTOR-OUTDOOR AMBIENT (M3, M6, M11, M15, M16)			
91	11046302	LEVER ARM (M1, M3, M5, M6, M7, M8, M9, M11, M13, M14, M16)			
101	0163P00019	CABLE			
111	11046105	VENT DOOR (M1, M2, M3, M4, M5, M6, M8, M10, M11, M12, M13, M16)			
131	0121P00072DG	BRACKET, VENT DOOR-C (M1, M3, M5, M6, M7, M8, M9, M11, M13, M14, M16)			
131	0121P00080	BRKT, POWER VENT (M2, M4, M10, M12)			
131	11166101	POWER VENT MOTOR BRACKET (M2, M4, M10, M12)			
181	11191703	PARTITION PANEL BRACKET (M1, M6, M7, M8, M9, M10, M11, M12, M13, M14, M15, M16)			
191	0270P00997	POWER DOOR ASSY (M2, M10)			
191	0270P01059	POWER VENT ASSY (M4, M12)			
NS	11166401	EXTENSION SPRING (M2, M4, M10, M12)			
NS	11166201	POWER VENT COVER BRACKET (M2, M4, M10, M12)			
NS	11172801	POWER VENT MOTOR (M2, M4, M10, M12)			

## Expanded Model Nomenclature

M1 - PTC073G00AXXXAA
M2 - PTC073G00DHXXAA
M3 - PTC073G00HRXXAA
M4 - PTC073G00HVXXAA
M5 - PTC073G00HXXXAA
M6 - PTC073G00RXXXAA
M7 - PTC073G15CXXXAA
M8 - PTC073G25AXXXAA
M9 - PTC073G25CXXXAA
M10 - PTC073G25DXXXAA
M11 - PTC073G25RXXXAA
M12 - PTC073G25VXXXAA
M13 - PTC073G35AXXXAA
M14 - PTC073G35CXXXAA
M15 - PTC073G35QRXXAA
M16 - PTC073G35RXXXAA

# Partition Assembly





# Partition Assembly

Ref. Part No: No:	Description:	Ref. Part No: No:	Description:
-------------------	--------------	-------------------	--------------

Image 1:

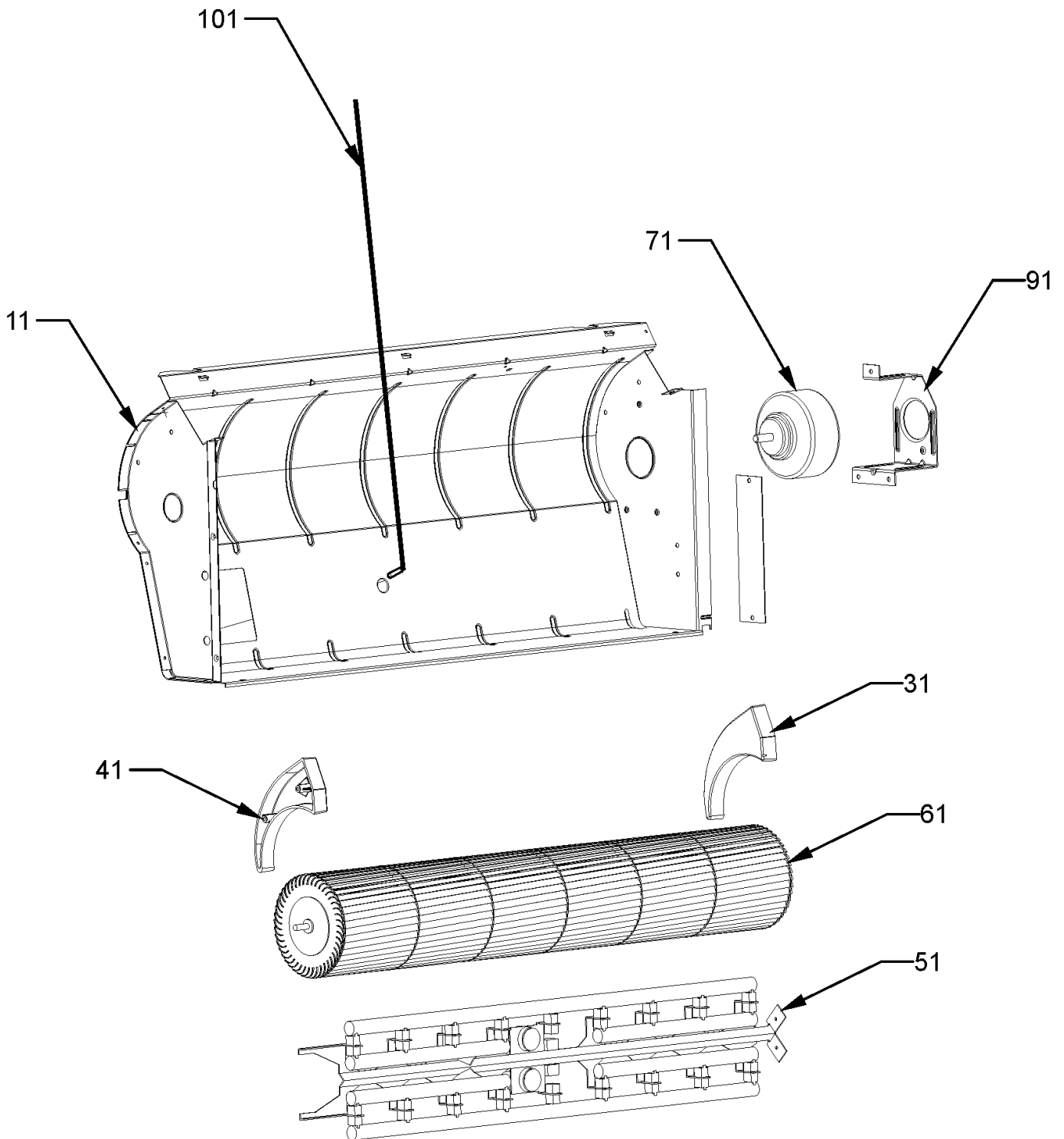
11	0121P00056DG	BASEPAN, PNT
21	0161P00044	PLASTIC-DRAIN PAN
51	C6300502	CAPACITOR STRAP
61	20403301	MID PARTITION PANEL
71	0121P00063DG	TOP, PARTITION PANEL PNT
81	20416201	SEAL-L SIDE PTC
91	20416101	SEAL-R SIDE PTC
101	0121P00071DG	BRACE, TIE (QTY 2)
121	0121P00001P	CONTROL PANEL COVER
131	RSKP0005	CONTROL PANEL COVER AND MEMBRANE
141	0161P00016	PLASTIC-HOOD
151	20410801	ACCESS COVER
161	0121P00061DG	CUTOFF-SCROLL DG
181	CAP020000440P	CAPACITOR, 440V
181	CAP020000440RP	CAPACITOR, 440V
For serial numbers after 1210 use CAP020000440RP		
211	CAP020200450RS	CAP, 2/20 MFD/450V/DUAL RD
251	0130P00069	CORD, 250VAC, 15A (LCD) (M1, M2, M3, M4, M5, M6, M7, M8, M9, M10, M11, M12)
251	0130P00058	CORD, 250VAC, 20A (LCD) (M13, M14, M15, M16)
NS	0121P00070DG	COVER, MOTOR PNT

## Expanded Model Nomenclature

M1 - PTC073G00AXXXAA
M2 - PTC073G00DHXXAA
M3 - PTC073G00HRXXAA
M4 - PTC073G00HVXXAA
M5 - PTC073G00HXXAA
M6 - PTC073G00RXXAA
M7 - PTC073G15CXXAA
M8 - PTC073G25AXXXAA
M9 - PTC073G25CXXAA
M10 - PTC073G25DXXAA
M11 - PTC073G25RXXAA
M12 - PTC073G25VXXAA
M13 - PTC073G35AXXXAA
M14 - PTC073G35CXXAA
M15 - PTC073G35QRXXAA
M16 - PTC073G35RXXAA

For serial numbers after 1210 use CAP020000440RP

# Evaporator Blower / Heater Assembly



# Evaporator Blower / Heater Assembly

Ref. Part No: No:	Description:	Ref. Part No: No:	Description:
-------------------	--------------	-------------------	--------------

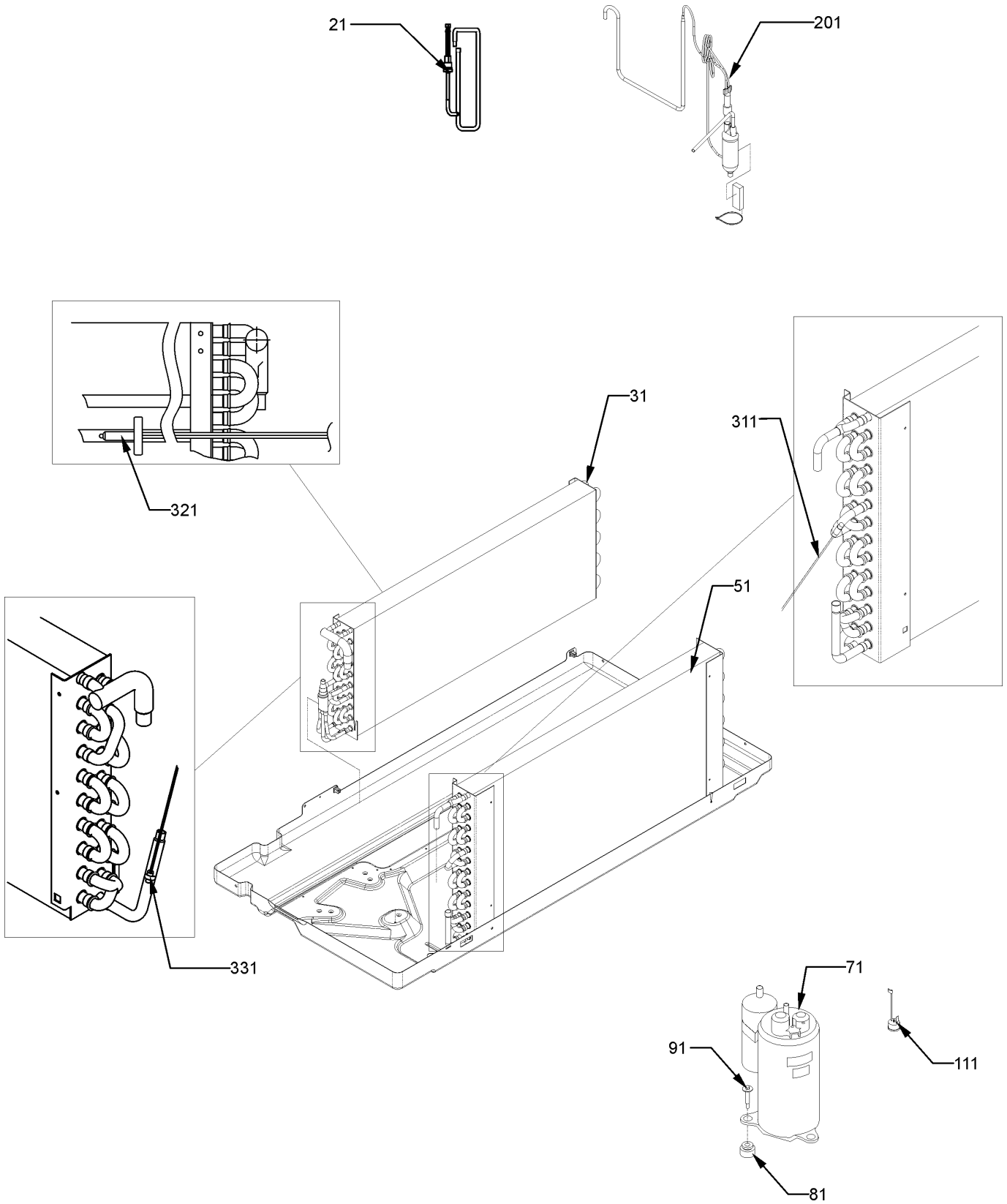
Image 1:

11	0270P01070	SCROLL ASSY
31	0161P00021	END CAP, RIGHT
41	0161P00022	END CAP, LEFT
51	0275P00019	HEATER ASSY (M8, M9, M10, M11, M12)
51	0275P00020	HEATER ASSY (M13, M14, M15, M16)
51	0275P00022	HEATER ASSY (M7)
61	0150P00004	WHEEL, BLOWER
71	0131P00006	FAN MOTOR, INDOOR
91	0121P00048	BRACKET-MOTOR MOUNT
101	0130P00038	THERMISTOR-DISCHARGE
NS	0163P00027	BEARING

Expanded Model Nomenclature

M1 - PTC073G00AXXXAA
M2 - PTC073G00DHXXAA
M3 - PTC073G00HRXXAA
M4 - PTC073G00HVXXAA
M5 - PTC073G00HXXAA
M6 - PTC073G00RXXAA
M7 - PTC073G15CXXAA
M8 - PTC073G25AXXXAA
M9 - PTC073G25CXXAA
M10 - PTC073G25DXXAA
M11 - PTC073G25RXXAA
M12 - PTC073G25VXXAA
M13 - PTC073G35AXXXAA
M14 - PTC073G35CXXAA
M15 - PTC073G35QRXXAA
M16 - PTC073G35RXXAA

# Coil / Compressor / Tubing Assembly



# Coil / Compressor / Tubing Assembly

Ref. Part No:	No:	Description:	Ref. Part No:	No:	Description:
---------------	-----	--------------	---------------	-----	--------------

Image 1:

21	0130M00066	SWITCH, HIGH PRESS
31	0202P00067	EVAP ASSY, 3/8, 2 ROW
51	0201P00094	5MM CONDENSER COIL ASSY (M1, M2, M3, M4, M5, M6, M8, M10, M11, M12, M13, M15, M16)
51	0202P00072DG	CONDENSER ASSY (M7, M9, M14)
71	39A162A	COMPRESSOR, RECHI
81	60110202	GROMMET - RECHI COMPRESSOR (QTY 3)
91	M0253661	SHOULDER SCREW (QTY 3)
111	60343516	OVERLOAD PROTECTOR
201	0210P00208	CAPILLARY WELDMENT
311	20295709	THERMISTOR-HEAT PUMP (M3, M6, M11, M15, M16)
321	0130P00046	THERMISTOR-INDOOR AMBIENT
331	20295707	THERMISTOR-INDOOR COIL
NS	60500101	OLP SPRING - RECHI COMPRESSOR
NS	60100314	TERMINAL COVER - RECHI COMP
NS	60100103	TERMINAL GASKET
NS	60100401	TERMINAL NUT - RECHI COMP
NS	60100201	WASHER - RECHI COMPRESSOR

Expanded Model Nomenclature

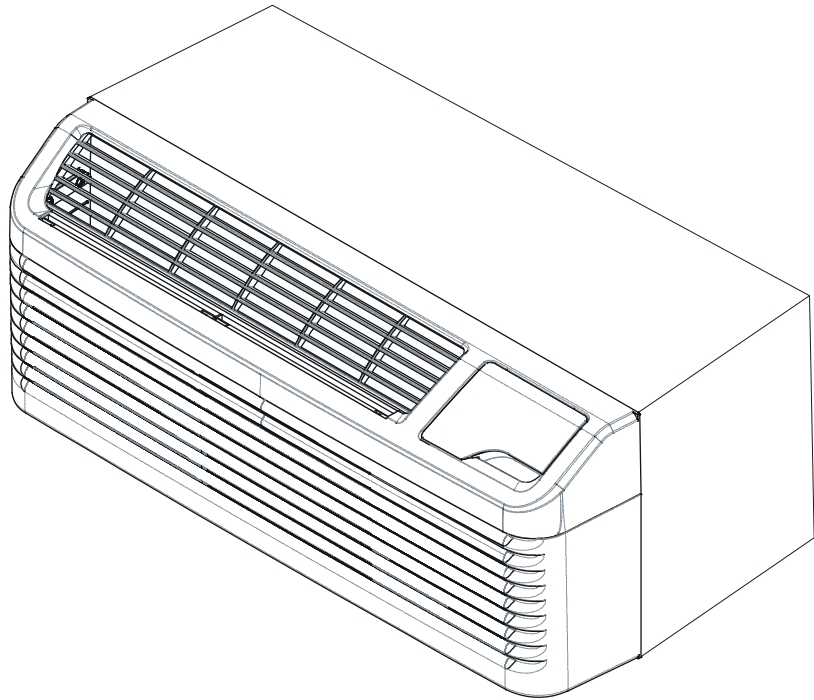
M1 - PTC073G00AXXXAA
M2 - PTC073G00DHXXAA
M3 - PTC073G00HRXXAA
M4 - PTC073G00HVXXAA
M5 - PTC073G00HXXXAA
M6 - PTC073G00RXXXAA
M7 - PTC073G15CXXXAA
M8 - PTC073G25AXXXAA
M9 - PTC073G25CXXXAA
M10 - PTC073G25DXXXAA
M11 - PTC073G25RXXXAA
M12 - PTC073G25VXXXAA
M13 - PTC073G35AXXXAA
M14 - PTC073G35CXXXAA
M15 - PTC073G35QRXXAA
M16 - PTC073G35RXXXAA

# REPAIR PARTS

---

## PTC074G Series R410A PTAC Coolers

PTC074G00HRXXAA  
PTC074G00HRXXAB  
PTC074G00HXXXAA  
PTC074G00HXXXAB  
PTC074G25AXXXAA  
PTC074G25AXXXAB  
PTC074G25CXXXAA  
PTC074G25CXXXAB  
PTC074G25RXXXAA  
PTC074G25RXXXAB  
PTC074G35AXXXAA  
PTC074G35AXXXAB  
PTC074G35CXXXAA  
PTC074G35CXXXAB  
PTC074G35QRXXAA  
PTC074G35QRXXAB  
PTC074G35QXXXAA  
PTC074G35QXXXAB  
PTC074G35RXXXAA  
PTC074G35RXXXAB



This manual is to be used by qualified technicians only.

This manual replaces RP-691A.

© 2012 Goodman Manufacturing Company, L.P. ♦ 5151 San Felipe, Suite 500 ♦ Houston, TX 77056

# Important Information

---

## Index

Functional Parts List .....	3
Illustration and Parts .....	4 - 13

*Views shown are for parts illustrations only, not servicing procedures.*

This system uses R410A refrigerant. If sealed system work is required, use approved equipment and follow service procedures. Refer to Service Manual or Installation Instructions for service procedures.

Rev B: Models with a 2-speed condenser fan motor.

### Text Codes:

AR - As Required

NA - Not Available

NS - Not Shown

00000000 - See Note

QTY - Quantity Example (QTY 3) (If Quantity not shown, Quantity = 1)

M - Model Example (M1) (If M Code not shown, then part is used on all Models)

### Expanded Model Nomenclature:

Example M1 - Model#1 M2 - Model#2 M3 - Model#3
---

Goodman Manufacturing Company, L.P. is not responsible for personal injury or property damage resulting from improper service. Review all service information before beginning repairs.

Warranty service must be performed by an authorized technician, using authorized factory parts. If service is required after the warranty expires, Goodman Manufacturing Company, L.P. also recommends contacting an authorized technician and using authorized factory parts.

Goodman Manufacturing Company, L.P. reserves the right to discontinue, or change at any time, specifications or designs without notice or without incurring obligations.

For assistance within the U.S.A. contact:  
Consumer Affairs Department  
Goodman Manufacturing Company, L.P.  
7401 Security Way  
Houston, Texas 77040  
877-254-4729-Telephone  
713-863-2382-Facsimile

For assistance outside the U.S.A. contact:  
International Division  
Goodman Manufacturing Company, L.P.  
7401 Security Way  
Houston, Texas 77040  
713-861-2500-Telephone  
713-863-2382-Facsimile

# Functional Parts

## Part

## No: Description:

## Expanded Model Nomenclature

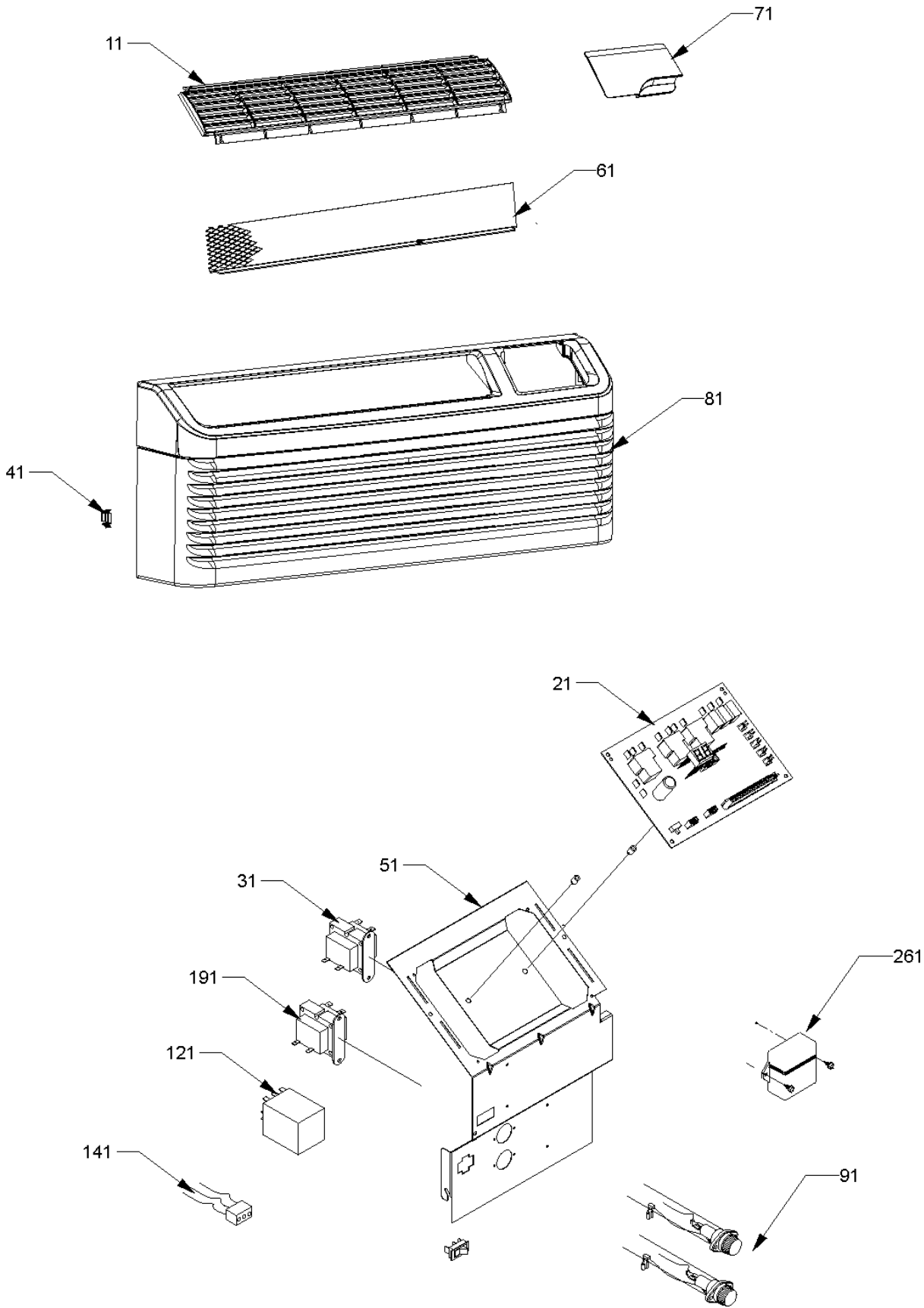
CAP020150450RS	CAP, 2/15 MFD/450V/DUAL RD	M1 - PTC074G00HRXXAA
CAP010000500RP	CAPACITOR	M2 - PTC074G00HRXXAB
39A167A	COMPRESSOR, RECHI	M3 - PTC074G00HXXXAA
RSKP0010	CONTROL BOARD M61	M4 - PTC074G00HXXXAB
11114701	CORD-277V-20A	M5 - PTC074G25AXXXAA
0131P00010	FAN MOTOR, INDOOR 265V	M6 - PTC074G25AXXXAB
0131P00028	FAN MOTOR, OUTDOOR (M1, M3, M5, M7, M9, M11, M13, M15, M17, M19)	M7 - PTC074G25CXXXAA
0131P00034	FAN MOTOR, OUTDOOR (M2, M4, M6, M8, M10, M12, M14, M16, M18, M20)	M8 - PTC074G25CXXXAB
0161P00030	FAN, CONDENSER	M9 - PTC074G25RXXXAA
0275P00024	HEATER ASSY (M11, M12, M13, M14, M15, M16, M17, M18, M19, M20)	M10 - PTC074G25RXXXAB
0275P00023	HEATER ASSY (M5, M6, M7, M8, M9, M10)	M11 - PTC074G35AXXXAA
60343547	OVERLOAD PROTECTOR	M12 - PTC074G35AXXXAB
0130M00097	RELAY	M13 - PTC074G35CXXXAA
C8873917	RELAY (HYDRONIC) (M1, M2, M3, M4)	M14 - PTC074G35CXXXAB
0130M00132	SWITCH, HIGH PRESS	M15 - PTC074G35QRXXAA
0130P00077	THERMISTOR (M1, M2, M9, M10, M15, M16, M19, M20)	M16 - PTC074G35QRXXAB
0130P00073	THERMISTOR	M17 - PTC074G35QXXXAA
0130P00075	THERMISTOR - DISCHARGE	M18 - PTC074G35QXXXAB
20295709	THERMISTOR-HEAT PUMP (M9, M10, M15, M16, M19, M20)	M19 - PTC074G35RXXXAA
20295707	THERMISTOR-INDOOR COIL	M20 - PTC074G35RXXXAB
0130P00039	THERMISTOR-OUTDOOR AMBIENT (M1, M2, M9, M10, M15, M16, M19, M20)	
11172101	TRANSFORMER (M1, M2, M3, M4)	
20512501	TRANSFORMER (HYDRONIC) (M5, M6, M7, M8, M9, M10, M11, M12, M13, M14, M15, M16, M17, M18, M19, M20)	
0150P00004	WHEEL, BLOWER	

## SPECIAL PARTS

C6476002	BAYONET FUSE HOLDER (M11, M12, M13, M14, M15, M16, M17, M18, M19, M20)
C6476001	BAYONET FUSE HOLDER (M1, M2, M3, M4, M5, M6, M7, M8, M9, M10)
A3410402	FUSE 15A (M1, M2, M3, M4, M5, M6, M7, M8, M9, M10)
A3410403	FUSE 20A (M11, M12, M13, M14, M15, M16, M17, M18, M19, M20)



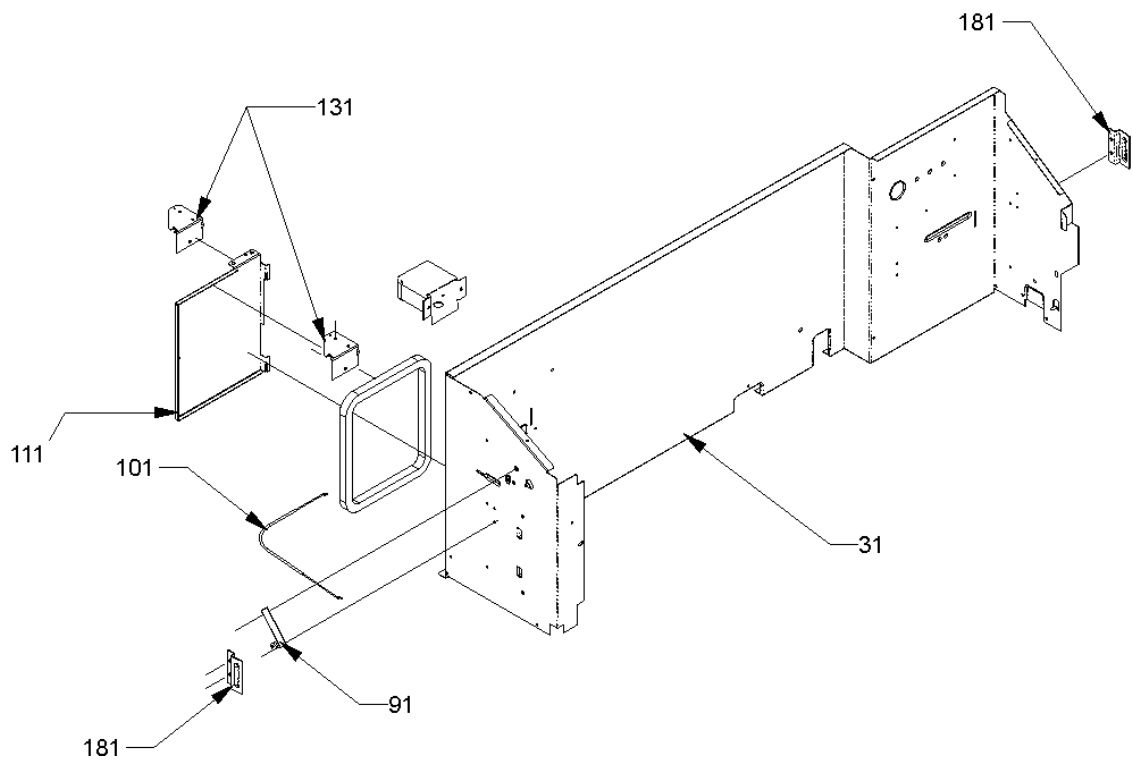
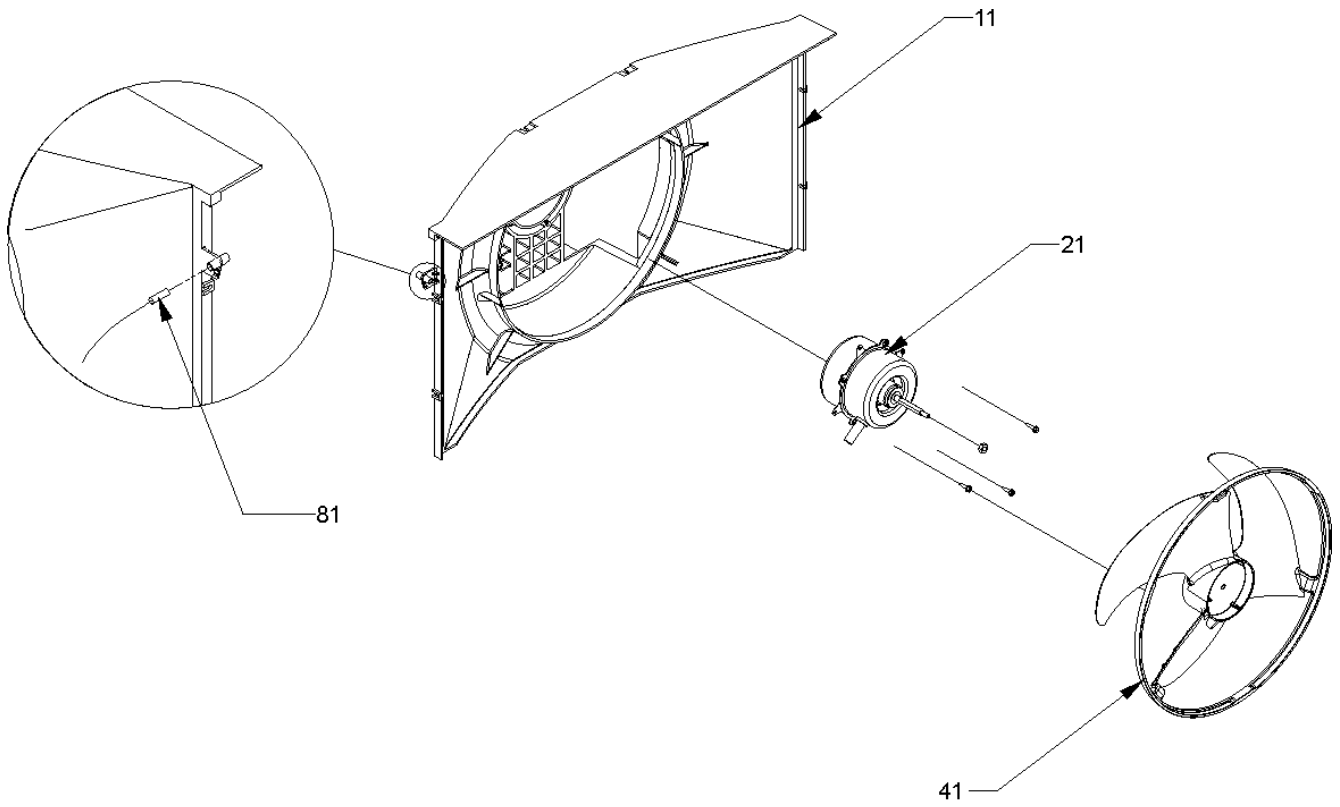
# Control Panel / Front Assembly



# Control Panel / Front Assembly

Ref. Part No:	No:	Description:	Ref. Part No:	No:	Description:
<i>Image 1:</i>			Expanded Model Nomenclature		
11	0161P00033	FRONT-DICHARGE LOUVERS (M5, M6, M7, M8, M9, M10, M11, M12, M13, M14, M15, M16, M17, M18, M19, M20)	M1 -	PTC074G00HRXXAA	
21	RSKP0010	CONTROL BOARD M61	M2 -	PTC074G00HRXXAB	
31	20512501	TRANSFORMER (HYDRONIC) (M5, M6, M7, M8, M9, M10, M11, M12, M13, M14, M15, M16, M17, M18, M19, M20)	M3 -	PTC074G00HXXXAA	
41	0163P00025	CLIP (M5, M6, M7, M8, M9, M10, M11, M12, M13, M14, M15, M16, M17, M18, M19, M20)	M4 -	PTC074G00HXXXAB	
51	0121P00087	PANEL, CONTROL	M5 -	PTC074G25AXXXAA	
61	0121P00073DG	SCREEN, DISCHARGE (M5, M6, M7, M8, M9, M10, M11, M12, M13, M14, M15, M16, M17, M18, M19, M20)	M6 -	PTC074G25AXXXAB	
71	0261P00003	DOOR ASSY -AMANA- (M5, M6, M7, M8, M9, M10, M11, M12, M13, M14, M15, M16, M17, M18, M19, M20)	M7 -	PTC074G25CXXXAA	
81	0261P00011	FRONT ASSY (M5, M6, M7, M8, M9, M10, M11, M12, M13, M14, M15, M16, M17, M18, M19, M20)	M8 -	PTC074G25CXXXAB	
91	C6476001	BAYONET FUSE HOLDER (M1, M2, M3, M4, M5, M6, M7, M8, M9, M10)	M9 -	PTC074G25RXXXAA	
91	C6476002	BAYONET FUSE HOLDER (M11, M12, M13, M14, M15, M16, M17, M18, M19, M20)	M10 -	PTC074G25RXXXAB	
121	0130M00097	RELAY	M11 -	PTC074G35AXXXAA	
121	C8873917	RELAY (HYDRONIC) (M1, M2, M3, M4)	M12 -	PTC074G35AXXXAB	
141	0259P00009	HARNESS, HYDR HT PTC (M1, M2, M3, M4)	M13 -	PTC074G35CXXXAA	
191	11172101	TRANSFORMER (M1, M2, M3, M4)	M14 -	PTC074G35CXXXAB	
261	1261401	DIGITENNA (M1, M2, M9, M10, M15, M16, M19, M20)	M15 -	PTC074G35QRXXAA	
NS	0161P00035	FILTER, RACK (M5, M6, M7, M8, M9, M10, M11, M12, M13, M14, M15, M16, M17, M18, M19, M20)	M16 -	PTC074G35QRXXAB	
NS	A3410402	FUSE 15A (M1, M2, M3, M4, M5, M6, M7, M8, M9, M10)	M17 -	PTC074G35QXXXAA	
NS	A3410403	FUSE 20A (M11, M12, M13, M14, M15, M16, M17, M18, M19, M20)	M18 -	PTC074G35QXXXAB	
			M19 -	PTC074G35RXXXAA	
			M20 -	PTC074G35RXXXAB	

# Condenser Fan / Partition Assembly



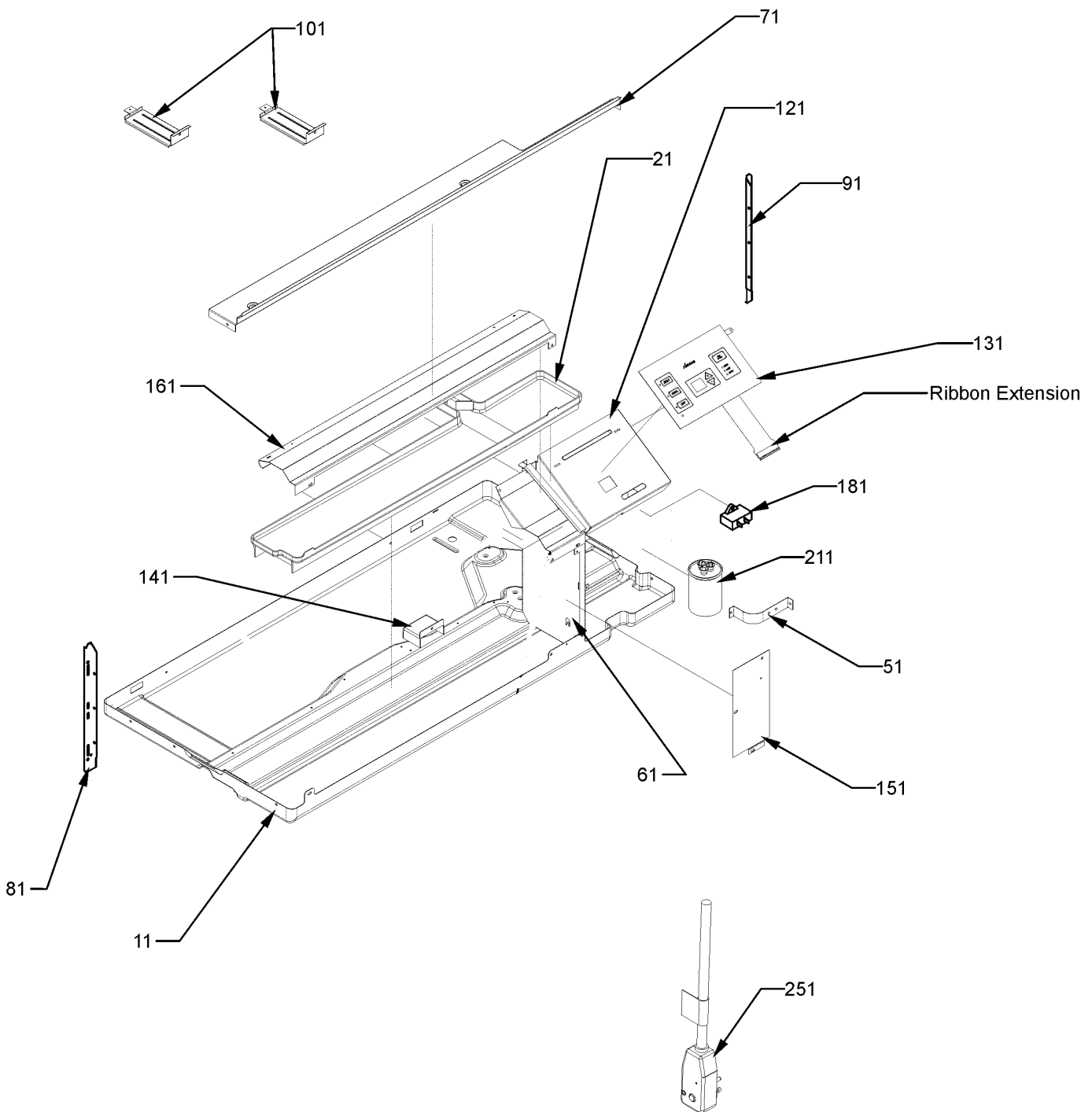
# Condenser Fan / Partition Assembly

Ref. Part No:	No:	Description:	Ref. Part No:	No:	Description:
<i>Image 1:</i>					
11	0161P00026	SHROUD, CONDENSER			
21	0131P00028	FAN MOTOR, OUTDOOR (M1, M3, M5, M7, M9, M11, M13, M15, M17, M19)			
21	0131P00034	FAN MOTOR, OUTDOOR (M2, M4, M6, M8, M10, M12, M14, M16, M18, M20)			
31	0121P00093	PANEL-PARTITION (M15, M16, M17, M18)			
31	0121P00089DG	PANEL-PARTITION PNT (M1, M2, M3, M4, M5, M6, M7, M8, M9, M10, M11, M12, M13, M14, M19, M20)			
41	0161P00030	FAN, CONDENSER			
81	0130P00039	THERMISTOR-OUTDOOR AMBIENT (M1, M2, M9, M10, M15, M16, M19, M20)			
91	11046302	LEVER ARM (M1, M2, M3, M4, M5, M6, M7, M8, M9, M10, M11, M12, M13, M14, M19, M20)			
101	0163P00019	CABLE			
111	11046105PDG	VENT DOOR (M1, M2, M3, M4, M5, M6, M7, M8, M9, M10, M11, M12, M13, M14, M19, M20)			
131	0121P00072DG	BRACKET, VENT DOOR-C (M1, M2, M3, M4, M5, M6, M7, M8, M9, M10, M11, M12, M13, M14, M19, M20)			
181	11191703	PARTITION PANEL BRACKET (M5, M6, M7, M8, M9, M10, M11, M12, M13, M14, M15, M16, M17, M18, M19, M20)			

## Expanded Model Nomenclature

M1 - PTC074G00HRXXAA
M2 - PTC074G00HRXXAB
M3 - PTC074G00HXXXAA
M4 - PTC074G00HXXXAB
M5 - PTC074G25AXXXAA
M6 - PTC074G25AXXXAB
M7 - PTC074G25CXXXAA
M8 - PTC074G25CXXXAB
M9 - PTC074G25RXXXAA
M10 - PTC074G25RXXXAB
M11 - PTC074G35AXXXAA
M12 - PTC074G35AXXXAB
M13 - PTC074G35CXXXAA
M14 - PTC074G35CXXXAB
M15 - PTC074G35QRXXAA
M16 - PTC074G35QRXXAB
M17 - PTC074G35QXXXAA
M18 - PTC074G35QXXXAB
M19 - PTC074G35RXXXAA
M20 - PTC074G35RXXXAB

# Partition Assembly



# Partition Assembly

Ref. Part No: No:	Description:	Ref. Part No: No:	Description:
-------------------	--------------	-------------------	--------------

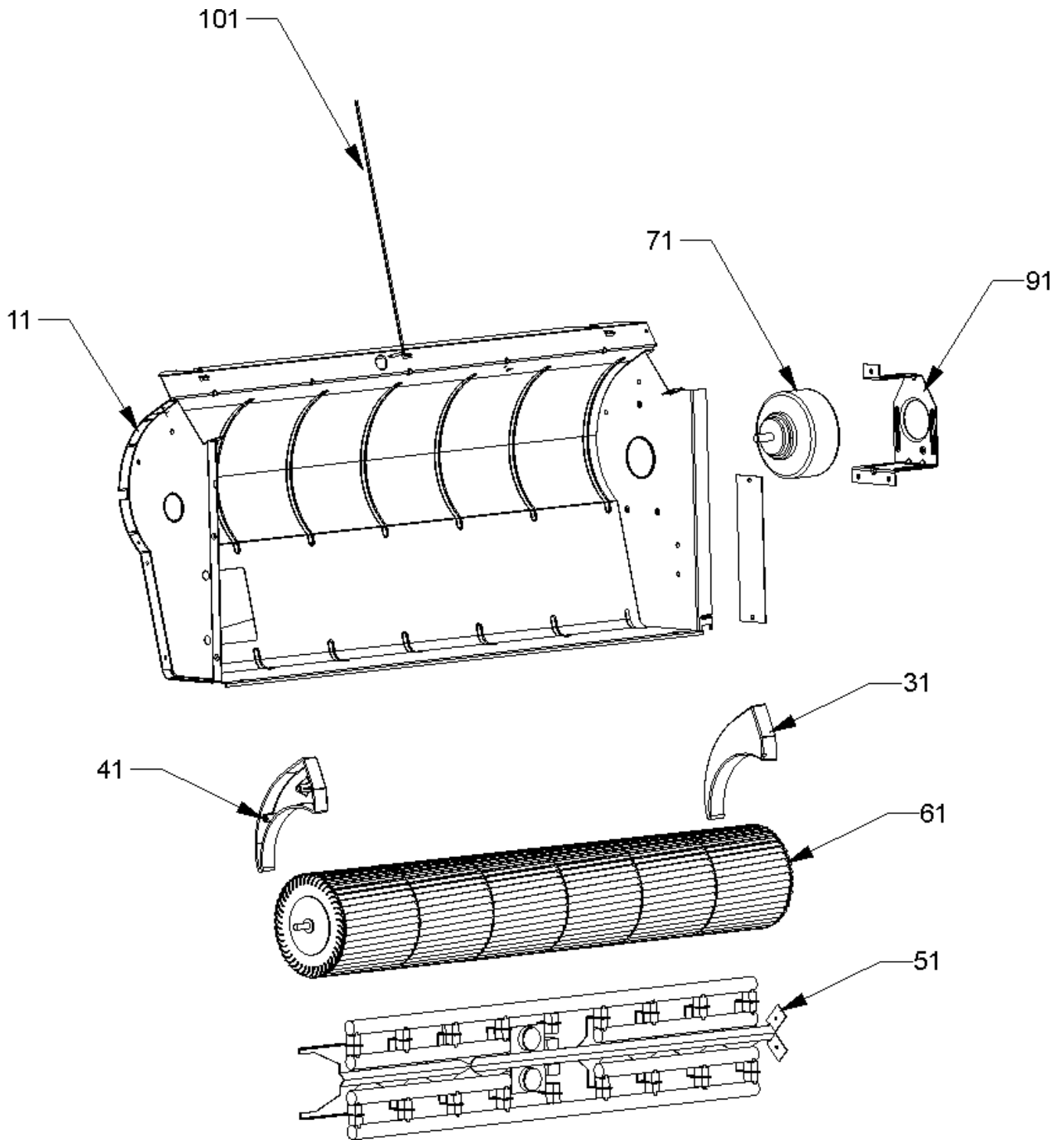
*Image 1:*

11	0121P00056DG	BASEPAN, PNT
21	0161P00044	PLASTIC-DRAIN PAN
51	C6300502	CAPACITOR STRAP
61	20403301	MID PARTITION PANEL
71	0121P00063DG	TOP, PARTITION PANEL PNT
81	20416201	SEAL-L SIDE PTC
91	20416101	SEAL-R SIDE PTC
101	0121P00071DG	BRACE, TIE PNT (QTY 2)
121	0121P00001P	CONTROL PANEL COVER
131	RSKP0005	CONTROL PANEL COVER AND MEMBRANE
141	0161P00016	PLASTIC-HOOD
151	20410801	ACCESS COVER
161	0121P00061DG	CUTOFF-SCROLL DG
181	CAP010000500RP	CAPACITOR
211	CAP020150450RS	CAP, 2/15 MFD/450V/DUAL RD
251	11114701	CORD-277V-20A
NS	0121P00070DG	COVER, MOTOR PNT

Expanded Model Nomenclature

- M1 - PTC074G00HRXXAA
- M2 - PTC074G00HRXXAB
- M3 - PTC074G00HXXXAA
- M4 - PTC074G00HXXXAB
- M5 - PTC074G25AXXXAA
- M6 - PTC074G25AXXXAB
- M7 - PTC074G25CXXXAA
- M8 - PTC074G25CXXXAB
- M9 - PTC074G25RXXXAA
- M10 - PTC074G25RXXXAB
- M11 - PTC074G35AXXXAA
- M12 - PTC074G35AXXXAB
- M13 - PTC074G35CXXXAA
- M14 - PTC074G35CXXXAB
- M15 - PTC074G35QRXXAA
- M16 - PTC074G35QRXXAB
- M17 - PTC074G35QXXXAA
- M18 - PTC074G35QXXXAB
- M19 - PTC074G35RXXXAA
- M20 - PTC074G35RXXXAB

# Evaporator Blower / Heater Assembly



# Evaporator Blower / Heater Assembly

Ref. Part No: No:	Description:	Ref. Part No: No:	Description:
-------------------	--------------	-------------------	--------------

Image 1:

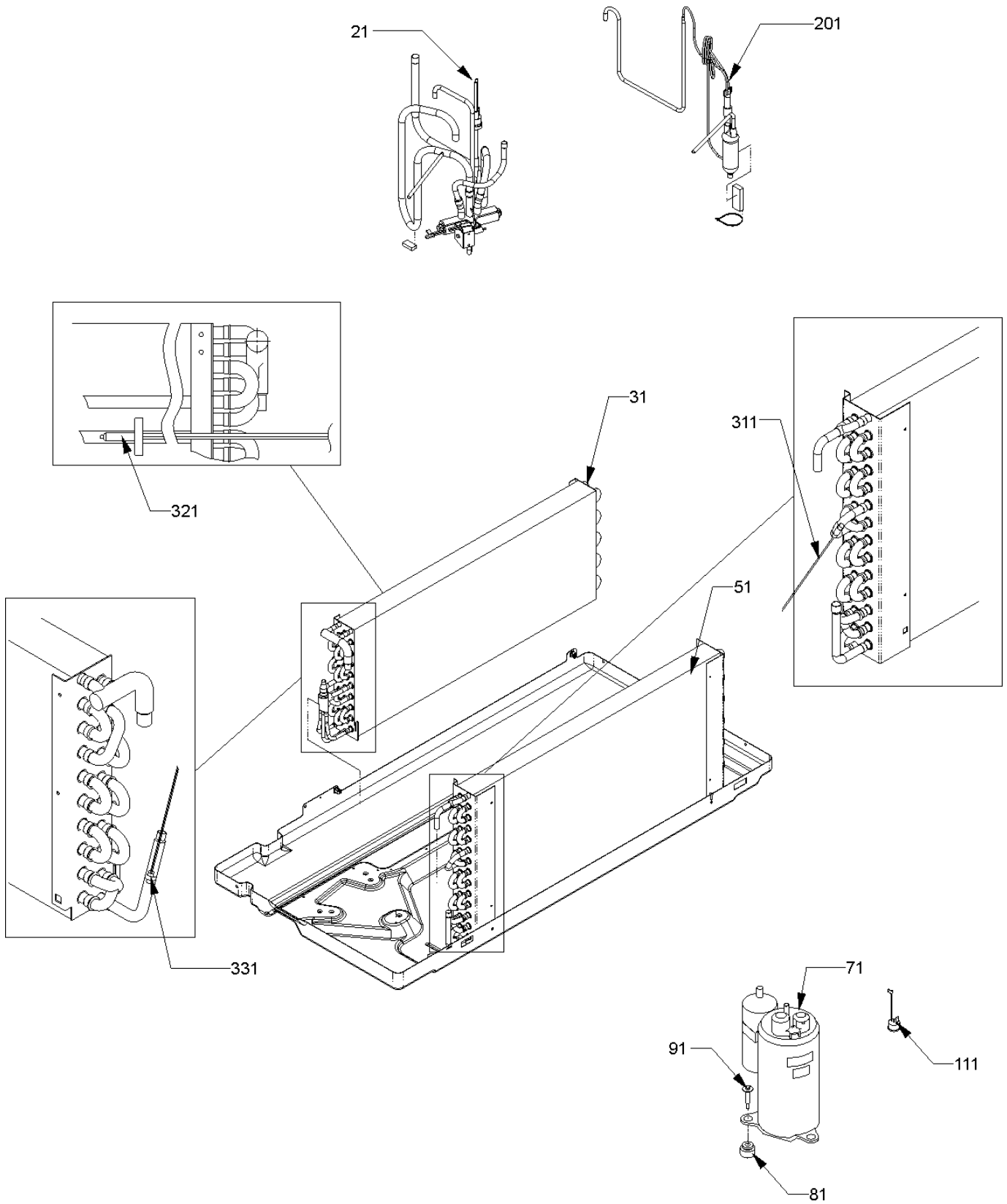
11	0270P01070	SCROLL ASSY
31	0161P00021	END CAP, RIGHT
41	0161P00022	END CAP, LEFT
51	0275P00023	HEATER ASSY (M5, M6, M7, M8, M9, M10)
51	0275P00024	HEATER ASSY (M11, M12, M13, M14, M15, M16, M17, M18, M19, M20)
51	0275P00027	HEATER MODULE 0.0KW 265V (M1, M2, M3, M4)
61	0150P00004	WHEEL, BLOWER
71	0131P00010	FAN MOTOR, INDOOR 265V
91	0121P00048	BRACKET-MOTOR MOUNT
101	0130P00075	THERMISTOR - DISCHARGE
NS	0163P00027	BEARING

Expanded Model Nomenclature

M1 - PTC074G00HRXXAA
M2 - PTC074G00HRXXAB
M3 - PTC074G00HXXXAA
M4 - PTC074G00HXXXAB
M5 - PTC074G25AXXXAA
M6 - PTC074G25AXXXAB
M7 - PTC074G25CXXXAA
M8 - PTC074G25CXXXAB
M9 - PTC074G25RXXXAA
M10 - PTC074G25RXXXAB
M11 - PTC074G35AXXXAA
M12 - PTC074G35AXXXAB
M13 - PTC074G35CXXXAA
M14 - PTC074G35CXXXAB
M15 - PTC074G35QRXXAA
M16 - PTC074G35QRXXAB
M17 - PTC074G35QXXXAA
M18 - PTC074G35QXXXAB
M19 - PTC074G35RXXXAA
M20 - PTC074G35RXXXAB



# Coil / Compressor / Tubing Assembly



# Coil / Compressor / Tubing Assembly

Ref. Part No: No:	Description:	Ref. Part No: No:	Description:
-------------------	--------------	-------------------	--------------

Image 1:

21	0130M00132	SWITCH, HIGH PRESS
31	0202P00067	EVAP ASSY, 3/8, 2 ROW
51	0202P00071	5 MM CONDENSER COIL ASSY (M1, M2, M3, M4, M5, M6, M9, M10, M11, M12, M15, M16, M17, M18, M19, M20)
51	0202P00072	CONDENSER ASSY (M7, M8, M13, M14)
71	39A167A	COMPRESSOR, RECHI
81	60110202	GROMMET - RECHI COMPRESSOR (QTY 3)
91	M0253661	SHOULDER SCREW (QTY 3)
111	60343547	OVERLOAD PROTECTOR
201	0210P00209	CAPILLARY WELD
311	0130P00077	THERMISTOR (M1, M2, M9, M10, M15, M16, M19, M20)
311	20295709	THERMISTOR-HEAT PUMP (M9, M10, M15, M16, M19, M20)
321	0130P00073	THERMISTOR
331	20295707	THERMISTOR-INDOOR COIL
NS	60500101	OLP SPRING - RECHI COMPRESSOR
NS	60100314	TERMINAL COVER - RECHI COMP
NS	60100103	TERMINAL GASKET
NS	60100401	TERMINAL NUT - RECHI COMP
NS	60100201	WASHER - RECHI COMPRESSOR

Expanded Model Nomenclature

M1 - PTC074G00HRXXAA
M2 - PTC074G00HRXXAB
M3 - PTC074G00HXXXAA
M4 - PTC074G00HXXXAB
M5 - PTC074G25AXXXAA
M6 - PTC074G25AXXXAB
M7 - PTC074G25CXXXAA
M8 - PTC074G25CXXXAB
M9 - PTC074G25RXXXAA
M10 - PTC074G25RXXXAB
M11 - PTC074G35AXXXAA
M12 - PTC074G35AXXXAB
M13 - PTC074G35CXXXAA
M14 - PTC074G35CXXXAB
M15 - PTC074G35QRXXAA
M16 - PTC074G35QRXXAB
M17 - PTC074G35QXXXAA
M18 - PTC074G35QXXXAB
M19 - PTC074G35RXXXAA
M20 - PTC074G35RXXXAB