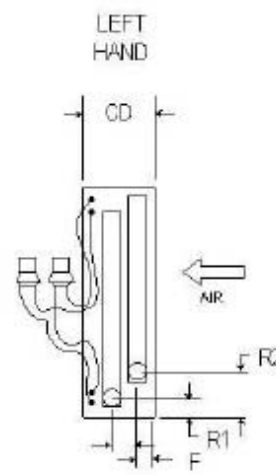
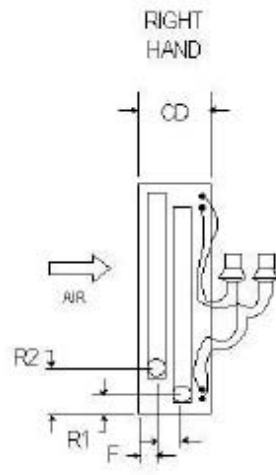
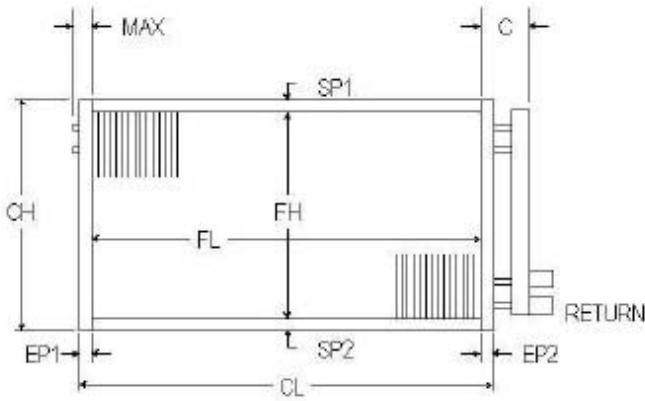
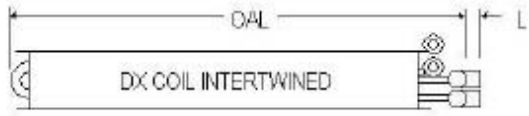


FAX YOUR QUOTE REQUEST TO 508-682-0944 OR E-MAIL SALES@H-MAC.COM

DIMENSIONAL DATA IN INCHES																	RETURN		CONNECTION SIZES SWEAT			
ITEM	QTY	ROWS	FPI	SP1	FH	SP2	CH	EP1	FL	EP2	CL	MAX	C	OAL	L	CD	R	F	DISTRIBUTORS	RETURN	CU	
P.O. #								CUSTOMER														
W.O. #								MODEL NO.														
APPROVED BY								TAG:														
DATE								NOTES														
Performance Data		CFM					EAT					EVAPORATOR TEMP				REFRIGERANT			CAPACITY			

□

ADD OUTER COIL BOX MAX. BOX DIMENSIONS: _____ "H x _____ "L x _____ "D



DX COILS INTERTWINED

ROWS AVAILABLE	1	2	3	4	5
	6	8	10	12	
FPI AVAILABLE	6	7	8	9	10
	11	12	13	14	
TUBES OD & Wall Thickness <i>COPPER ONLY</i>	5/8	.020		.025	
	1/2	.035		.049	
FINS Material & Thickness	ALUM.	.006		.010	
	COPPER	.006			
CASING	16 GA. GALV. STEEL				
	16 GA. STAINLESS STEEL				
HEADERS <i>COPPER ONLY</i>	5/8	7/8	1 1/8		
	1 3/8	1 5/8	2 1/8		
	2 5/8	3 1/8			