

## 5100 Series 60 KW - 100 KW Suspended Fan Forced Unit Heater



### Mounting Brackets and Accessories

Mounting Brackets				
MFG CATALOG NUMBER	MFG MODEL NUMBER	KW	DESCRIPTION	
07220002	A5175	60 To 70	Wall/Ceiling Bracket	
07220102	A51100	80 to 100		
07220302	B5175	60 to 70	Heater Bracket	
07220402	B51100	80 to 100		
07220202	V51100	60 to 100	Vertical Bracket	
07220502	DS5175	60 to 70	Dust Shield	
07220602	DS51100	80 to 100		
07220902	OFG 5175	60 to 70	Fan Guard	
07221002	OFG 51100	80 to 100		



### Dimensions

KW	Dimensions (Inches)			WT. (LBS)
	H	W	D	
60-70	35 ½	30 ½	14 ½	141
80-100	39 ½	37 ⅝	18 ½	202

### Features & Specifications

#### CONSTRUCTION:

Heavy gauge steel cabinet with powder coated finish and control compartment housing a master terminal board. The control compartment allows for access through a hinged and latched door, simplifying wiring, installation, and maintenance. Made in U.S.A

#### HEATING ELEMENT:

The heating element is a copper clad steel sheath element with continuously brazed steel fins formed to allow side draw through air flow.

#### OVERHEAT PROTECTION:

All units come equipped with manual reset type limit controls to de-energize the heater should an over-temperature situation occur.

#### FAN & MOTOR:

Single speed, single phase permanently lubricated, thermally protected motors with ball bearings. The fan override purges the unit of residual heat at shutdown.

#### FIELD INSTALLED OPTIONS:

Summer fan switch to operate the fan only, and a heat stratification thermostat for high bay areas.

#### HEATER STAGING:

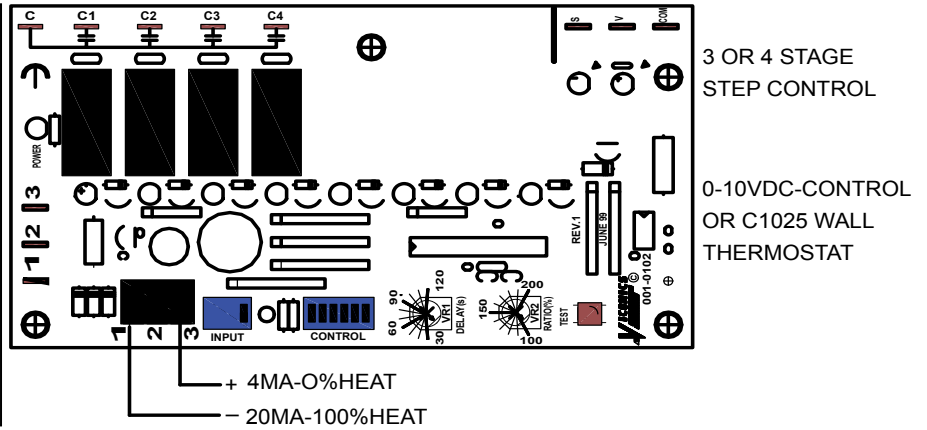
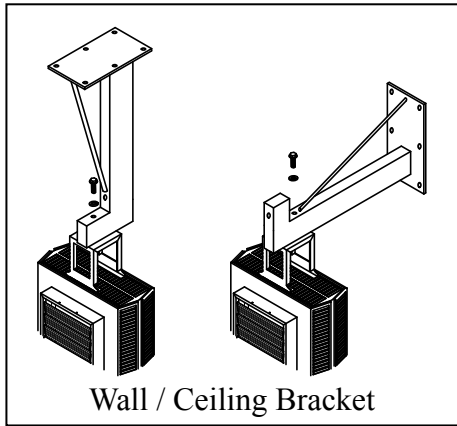
60 KW and 70 KW are three stage; 80 KW, 90 KW, & 100 KW are four stage.

#### SC5100 FACTORY INSTALLED ELECTRONIC STEP CONTROLLER:

The optional factory installed step controller is a first on last off sequencer that will cycle the unit heater stages through an optional wall thermostat. Additionally, the step controller can be controlled by any building management system with 4 to 20 MA or 0 - 10 VDC field supplied control signal.

# 5100 Series 60 KW - 100 KW Suspended Fan Forced Unit Heater

## Optional Factory Installed Electronic Step Controller



### Electrical Data

MFG CATALOG NUMBER	MFG MODEL NUMBER	KW	BTU/HR (x 1000)	VOLTS	PHASE	CONTROL VOLTAGE	AMPS / PHASE	BRANCH CIRCUIT PROTECTION SIZE
07213402	F3F5160CA1	60	204.7	208	3	24	166.7	225
07213502	HF3B5160CA1	60/45	204.7/153.6	240/208			144.6/125	200/175
07213602	P3P5160CA1	60	204.7	480			72.3	100
07214202	F3F5170CA1	70	238.9	208	3	24	194.4	250
07214302	HF3B5170CA1	70/52.5	238.9/179.2	240/208			168.7/145.8	225/200
07214402	P3P5170CA1	70	238.9	480			84.3	110
07217002	HF3B5180CA1	80/60	273/204.7	240/208	3	24	192.8/166.7	250/225
07217102	P3P5180CA1	80	273	480			96.3	125
07217602	HF3B5190CA1	90/67.5	307.1/230.4	240/208			216.9/187.5	300/250
07217702	P3P5190CA1	90	307.1	480	3	24	108.4	150
07218202	HF3B51100CA1	100/75	341.3/256	240/208			241/208.3	350/300
07218302	P3P51100CA1	100	341.3	480			120.4	175

### Air Delivery Data

MFG CATALOG NUMBER	MFG MODEL NUMBER	CFM at OUTLET	FPM at OUTLET	TEMP RISE °F	HP	MOTOR RPM	AIR THROW	MAX MOUNTING	
								Horizontal	Vertical
07213402	F3F5160CA1	3400	1485	60	1/3	1100	50'	18'	31'
07213502	HF3B5160CA1			60/45					
07213602	P3P5160CA1			60					
07214202	F3F5170CA1			70					
07214302	HF3B5170CA1			70/53					
07214402	P3P5170CA1			70					
07217002	HF3B5180CA1	5000	1529	55/41	3/4	1100	65'	22'	40'
07217102	P3P5180CA1			55					
07217602	HF3B5190CA1			61/46					
07217702	P3P5190CA1			61					
07218202	HF3B51100CA1			68/51					
07218302	P3P51100CA1			68					

### Recommended Control Options

MFG CATALOG NUMBER	MFG MODEL NUMBER	STEP CONTROLLER		REMOTE THERMOSTAT		SUMMER FAN SWITCH		STRATIFICATION THERMOSTAT		
		CATALOG/ MODEL		CATALOG/ MODEL		Wall	Built-In	Wall	Built-In	
						CATALOG/ MODEL		CATALOG/ MODEL		CATALOG/ MODEL
07213402	F3F5160CA1	05232302 SC5100		44046001 C1025		06926302 FSW5112		FS5101	06926402 TFS5101	06928002 TCS102
07213502	HF3B5160CA1							FS5101		
07213602	P3P5160CA1							FS5102		
07214202	F3F5170CA1							FS5101		
07214302	HF3B5170CA1							FS5101		
07214402	P3P5170CA1							FS5102		
07217002	HF3B5180CA1							FS5101		
07217102	P3P5180CA1							FS5102		
07217602	HF3B5190CA1							FS5101		
07217702	P3P5190CA1							FS5102		
07218202	HF3B51100CA1							FS5101		
07218302	P3P51100CA1							FS5102		

Note: Products listed in this section are custom built and subject to 100% cancellation/restocking charges.