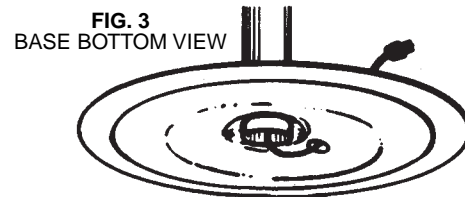
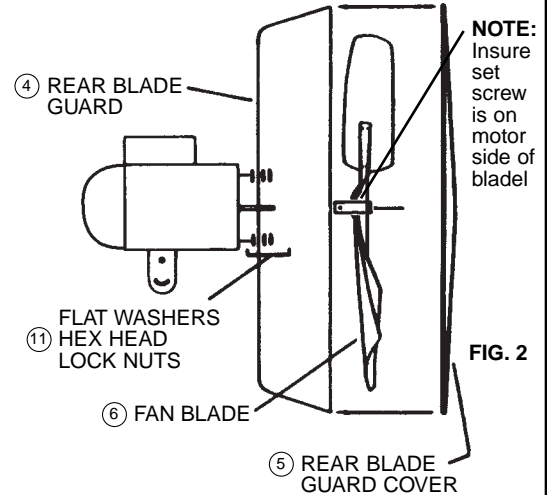
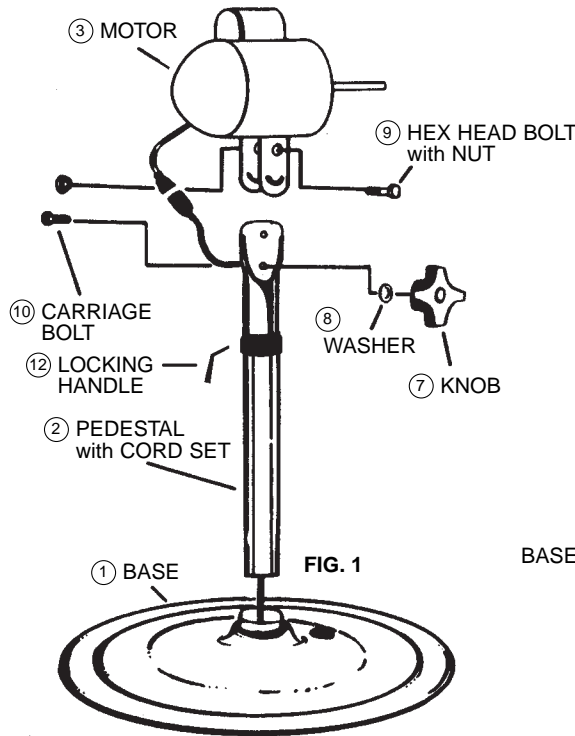
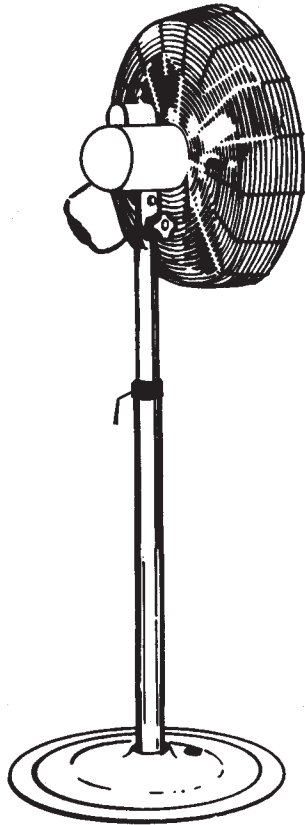


**OWNER'S
MANUAL**
Keep for
future reference



Read and Save These Instructions
ASSEMBLY INSTRUCTIONS
FOR
MODELS AMB2421 and AMB3021
Adjustable Pedestal Fan



ASSEMBLY INSTRUCTIONS

STEP 1. Remove all parts from the containers and verify that all items are complete. You should have the following parts:

- 1 - Base ①
- 1 - Pedestal (Tube Assembly) with cord set ②
- 1 - Motor ③
- 1 - Rear Blade Guard ④
- 1 - Front Blade Guard Cover ⑤
- 1 - Fan Blade ⑥
- 1 - HARDWARE KIT consisting of:
 - 1-knob ⑦
 - 1-1/4" washer ⑧
 - 1-1/2" dia. hex head bolt with nut ⑨
 - 1-1/4" dia. carriage bolt (round head) ⑩
 - 8 flat washers and 4 hex head lock nuts ⑪
 - locking handle ⑫

STEP 2. Insert the electrical cord through the center hole of the base and pull through. Place pedestal (2) into the base making sure the pedestal has "bottomed out" (Fig. 1). Insert cord through grommeted hole in the base and pull cord through (Fig. 3).

STEP 3. Place one flat washer on each motor stud, place rear guard (4) on studs. Place one each of the remaining flat washers on each stud, place one hex head lock nut on each stud and tighten.

STEP 4. Install fan blade (6) on motor shaft, secure with set screw on fan blade hub. **NOTE:** Make certain the set screw is aligned to flat part of motor shaft, and blade hub is flush with the motor shaft end. Insure set screw is on motor side of blade.

STEP 5. Install front blade guard cover (5) by engaging bottom hooks over outside of rear blade guard (4). By depressing outside ring of rear blade guard, remaining hooks on front blade guard cover can be engaged.

STEP 6. Attach motor (3) to top of pedestal using hex head bolt (9) with nut. Tighten nut only enough to allow motor to tilt with slight effort. Insert carriage bolt (10) and attach washer and knob (7) (Fig. 1).

WARNING: To reduce the risk of fire or electric shock, **DO NOT** use this fan with any solid state speed control devise.

WARNING: To reduce the risk of electric shock, **DO NOT** expose to water or rain.

CAUTION: Plug cord into 115 volt outlet and operate fan on low speed to insure smooth operation before operating fan on high speed.



**TRIANGLE ENGINEERING
OF ARKANSAS, INC.**

E-mail: mail@trianglefans.com • Website: www.trianglefans.com

1101 N. Redmond Rd. • Jacksonville, Arkansas 72076
(501) 982-7558 • 1-800-255-9014 • Fax (501) 982-5691



TRIANGLE ENGINEERING OF ARKANSAS, INC.

LIMITED THREE YEAR WARRANTY

Do not return product to original place of purchase

Triangle Engineering of Arkansas, Inc. (Manufacturer) warrants, from the date of purchase, to the original purchaser only, that the product manufactured by Manufacturer is free from defects in material and workmanship for a period of THREE (3) YEARS. Motors, capacitors, v-belts and switches are excluded from this warranty, but shall have a limited one year warranty from date of purchase to the original purchaser.

If a failure of the product occurs, contact the Manufacturer at:

1-800-255-9014

and give the model number of the product, the purchase date, and a description of the problem to the customer service agent.

Once the problem is diagnosed, and proof of purchase date is verified, Manufacturer will have the option of shipping the necessary repair part(s) to the Customer, freight prepaid or having the product returned to Manufacturer for repair or replacement. If the product is returned to the Manufacturer, Customer is responsible for prepayment of all inbound freight charges. Upon repair or replacement, which shall be at the discretion of Manufacturer, the Manufacturer will prepay all outbound freight charges for the return of the product to the customer. However, if Manufacturer finds product to be in operating condition and no problems are diagnosed, product will be returned to customer freight collect.

This limited warranty does not cover labor to replace warranted parts or motors, nor does it cover failure of the installer to provide adequate ventilation to meet exhaust requirements, damage resulting from accident, misuse or abuse, lack of proper maintenance, improper installation, affixing of any parts or attachments not authorized by Manufacturer, or loss of parts. In no event shall Manufacturer be liable for any special, incidental, or consequential damages; which may result from any defect in material or workmanship or from the breach of any express or implied warranty.

This warranty gives you specific legal rights, and you may also have other rights which vary from state to state.