

Chromalox®

Installation, Operation and RENEWAL PARTS IDENTIFICATION

SERVICE REFERENCE	
DIVISION 4	SECTION LUH
SALES REFERENCE	(Supersedes PF482-2) PF482-3
161-303476-002	
DATE	MAY, 2004

Power Disconnect Switch Kits



3 Pole

Model	Rating	PCN
EDS-1	50 Amp for units rated 480V and less 40 Amp for units rated 500V to 600V	303431



3 Pole 600 V Rating

Model	Rating	PCN
EDS-2	80 Amp	303440
EDS-3	100 Amp	303458

Specifications – Table A

Model	Electrical Data (60Hz)				Standard Contactor Rating (Qty.)
	Volts	kW	Phase	Amps	
LUH-D-02-81	208	2.667	1	12.8	30A (1)
LUH-D-02-21	208/240	2/2.667	1	11.1*	30A (1)
LUH-D-02-71	277	2.667	1	9.6	30A (1)
LUH-D-04-81	208	4	1	19.2	30A (1)
LUH-D-04-83	208	4	3	11.2	30A (1)
LUH-D-04-21	208/240	3/4	1	16.7*	30A (1)
LUH-D-04-23	208/240	3/4	3	9.6*	30A (1)
LUH-D-04-71	277	4	1	14.5	30A (1)
LUH-D-04-43	480	4	3	4.8	30A (1)
LUH-D-05-81	208	5	1	24.0	30A (1)
LUH-D-05-83	208	5	3	13.8	30A (1)
LUH-D-05-21	208/240	3.75/5	1	20.8*	30A (1)
LUH-D-05-23	208/240	3.75/5	3	12.1*	30A (1)
LUH-D-05-71	277	5	1	18.2	30A (1)
LUH-D-05-43	480	5	3	6.0	30A (1)
LUH-D-07-81	208	7.5	1	36.1	50A (1)
LUH-D-07-83	208	7.5	3	20.9	30A (1)
LUH-D-07-21	208/240	5.625/7.5	1	31.1*	30A (1)
LUH-D-07-23	208/240	5.625/7.5	3	18.1*	30A (1)
LUH-D-07-71	277	7.5	1	27.2	30A (1)
LUH-D-07-43	480	7.5	3	9.0	30A (1)
LUH-D-10-81	208	10	1	48.0	50A (1)
LUH-D-10-83	208	10	3	27.8	30A (1)
LUH-D-10-21	208/240	7.5/10	1	41.7*	30A (1)
LUH-D-10-23	208/240	7.5/10	3	24.0*	30A (1)
LUH-D-10-43	480	10	3	12.0	30A (1)
LUH-D-12-83	208	12.5	3	34.8	50A (1)
LUH-D-12-23	208/240	9.375/12.5	3	30.1*	50A (1)
LUH-D-12-43	480	12.5	3	15.1	30A (1)
LUH-D-15-83	208	15	3	41.8	50A (1)
LUH-D-15-23	208/240	11.25/15	3	36.2*	50A (1)
LUH-D-15-43	480	15	3	18.1	30A (1)
LUH-D-20-23	208/240	15/20	3	48.0*	50A (1)
LUH-D-20-43	480	20	3	24.0	30A (1)
LUH-D-25-43	480	25	3	30.0	50A (1)
LUH-D-30-83	208	30	3	83.4	50A (2)
LUH-D-30-23	208/240	22.5/30	3	72.2*	50A (2)
LUH-D-30-43	480	30	3	36.1	30A (2)
LUH-D-35-23	208/240	26.25/35	3	84.3*	50A (2)
LUH-D-35-43	480	35	3	42.1	30A (2)
LUH-D-40-23	208/240	30/40	3	96.0*	50A (2)
LUH-D-40-43	480	40	3	48.0	30A (2)
LUH-D-45-43	480	45	3	54.1	30A (2)

*208V amperage is 86% of 240V value.

GENERAL

⚠ WARNING

ELECTRIC SHOCK HAZARD. Disconnect all power before installing or servicing heater. Failure to do so could result in personal injury or property damage. Heater must be installed by a qualified person in accordance with the National Electrical Code, NFPA 70.

The following procedure contains instructions for installing Power Disconnect Switches.

INSTALLATION

1. The amperage rating of the disconnect must be equal to or greater than the amperage rating on Table A and as marked on the nameplate located on the bottom access door (Figure 1).
2. The power disconnect kit is to be installed in the rectangular knockout located in the bottom right corner on the back of the heater (Figure 2). The knockout can be removed using a hammer and chisel or other appropriate means.
For easier access to terminal screws to wire pigtail leads supplied on the heater, it is suggested that these connections be made before installing. See Wiring Instructions.
3. The disconnect switch assembly (Figures 3 or 4) consists of a mounting bracket, disconnect switch, mounting plate cover and self tapping screws.



Figure 1

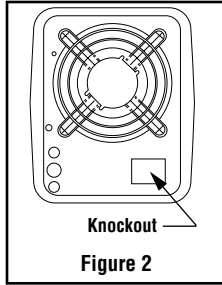


Figure 2

4. The Disconnect switch, with its mounting bracket should be inserted into the heater cabinet by opening the bottom service door and positioned behind the opening created in Step 2 (see Figure 5).

EDS-1

5. The disconnect switch, with its mounting plate should be inserted into the heater cabinet by opening the bottom service door and positioned behind the opening created in step 2 (see Figure 5).
6. Insert the four self tapping screws into the four holes in the rear panel. They should engage the holes in the mounting plate and then be tightened until they are secure (see Figure 6).
7. Mount the switch faceplate to the switch using the two provided screws. Mount with the "OFF" position to "0" to the left and the on position "1" to the top. Slide the handle over the shaft and tighten the screw to secure.

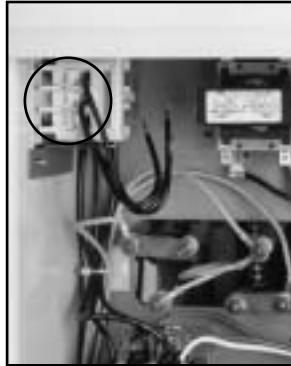


Figure 5

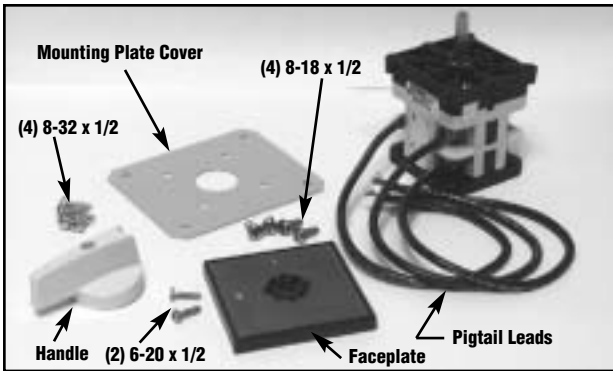


Figure 3

40 and 50 Amp Kits — EDS-1

The disconnect switch has a bracket for mounting the switch.

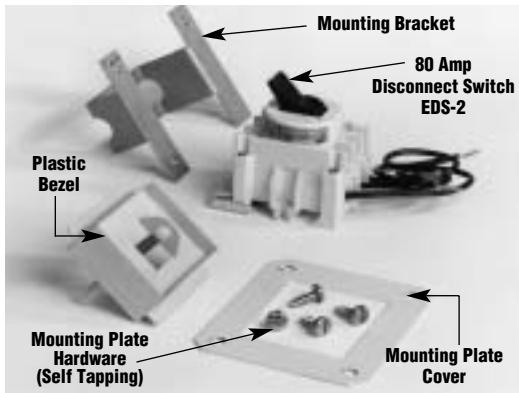


Figure 4

80 and 100 Amp Kit — EDS-2 and EDS-3

The disconnect switch has a bracket for mounting the switch.

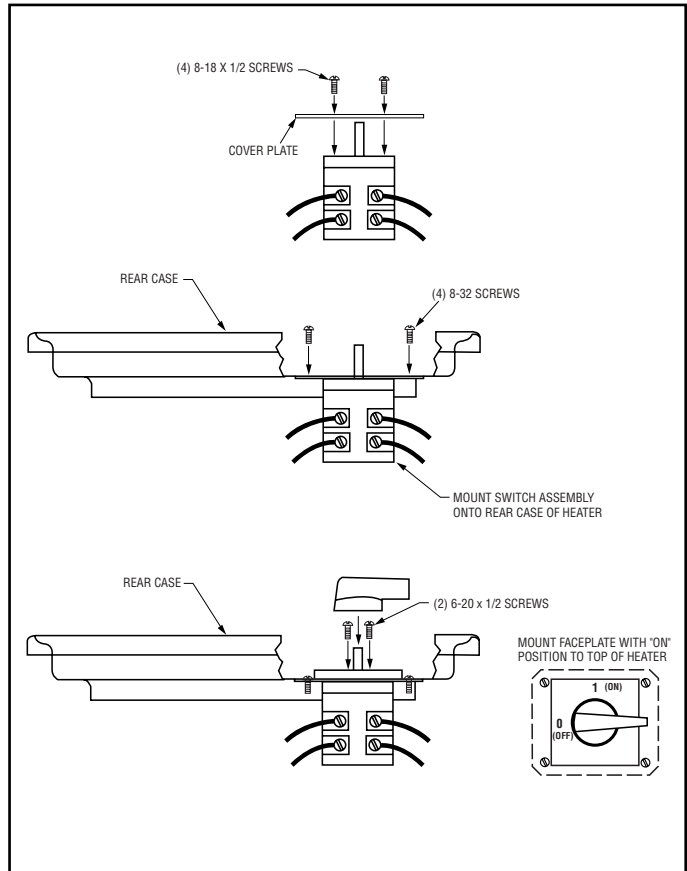


Figure 6 – EDS-1

INSTALLATION (Cont'd)

EDS-2 and EDS - 3

8. The cover plate should be placed over the rectangular opening with its four mounting holes lined up with the four holes in the cabinet and the four holes in the mounting bracket (see Figure 7).
9. Insert the four self tapping screws into the four holes until they engage the holes in the mounting bracket and tighten until they are secure (see Figure 8).
10. Place plastic bezel over the installed switch and push towards the switch until the tabs snap into place (see Figure 9).

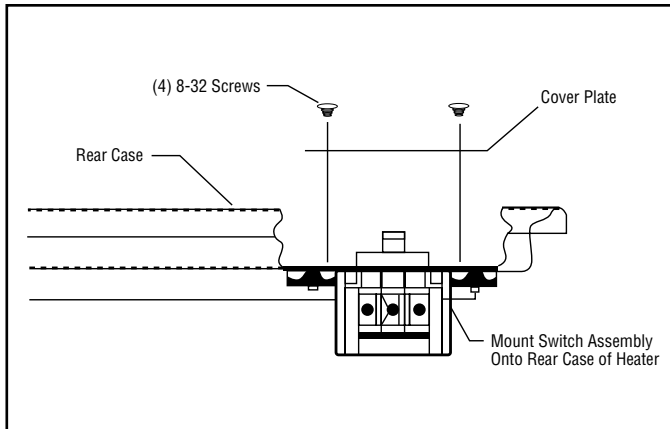


Figure 7

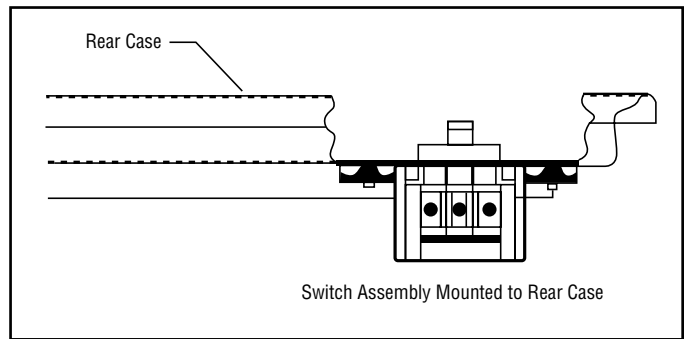


Figure 8

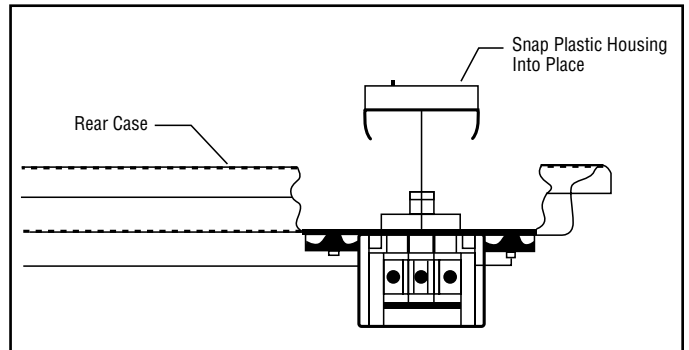
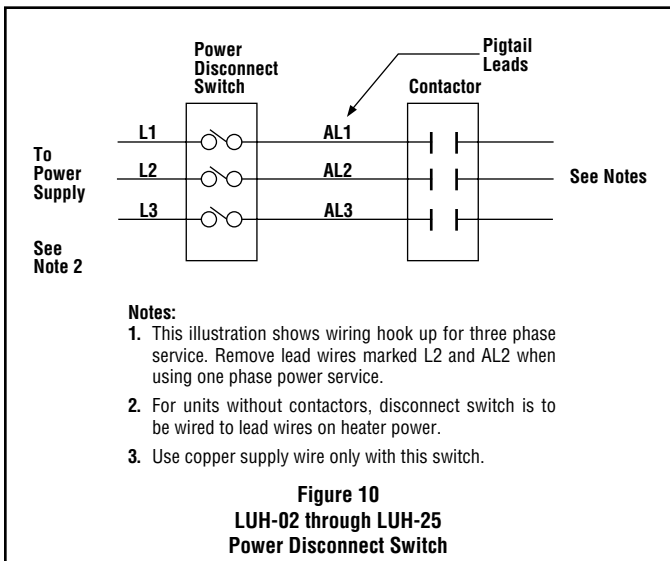


Figure 9

WIRING

POWER DISCONNECT SWITCH (Available as a kit or factory installed option.) (EDS-1) This switch disconnects the power to power leads when the handle is rotated to the "0" position (left). The power is on when the switch handle is rotated to the "1" position (top) position. (EDS-2 and EDS-3) This switch disconnects power to the power leads when the handle is placed in its full lower position. The power is on when the switch handle is in its full upper position.

1. Use the three pigtail leads supplied with kit (40 & 80 Amp) when connecting to the power line.
 - a. Use No. 4GA Copper conductor wire only for 100 Amp disconnect when wiring to the power line.
2. The power disconnect wiring to the heater is to be made using the pigtail leads supplied on the heaters up to and including 25 kW. On larger heaters, the installer should supply 105°C type AWM 600V wire.



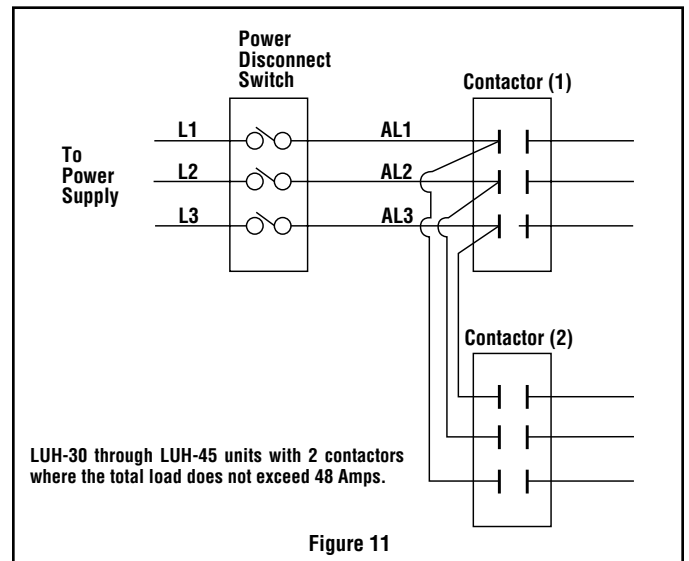
Notes:

1. This illustration shows wiring hook up for three phase service. Remove lead wires marked L2 and AL2 when using one phase power service.
2. For units without contactors, disconnect switch is to be wired to lead wires on heater power.
3. Use copper supply wire only with this switch.

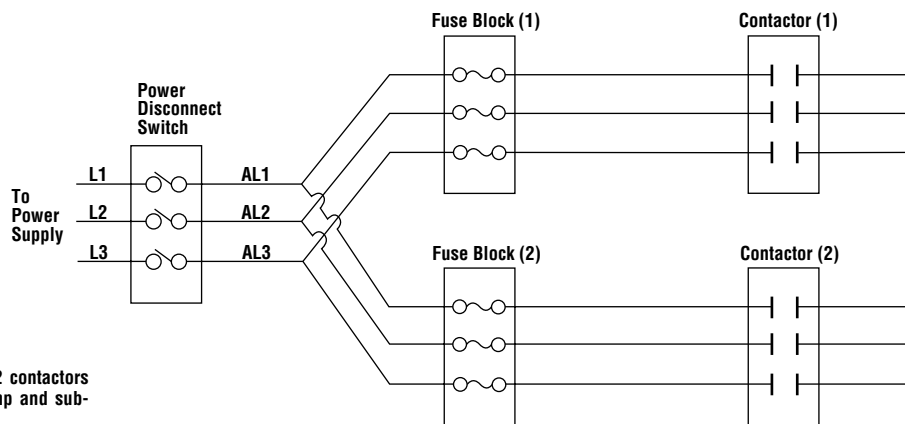
⚠ WARNING

ELECTRIC SHOCK HAZARD. Any installation involving electric heaters must be performed by a qualified person and must be effectively grounded in accordance with the National Electrical Code to eliminate shock hazard.

For future replacement parts, the model number should be modified on the nameplate to show that a disconnect kit has been field installed on the heater. A label kit (see Figure 13) (P/N 170-302788-002) has been included in the plastic envelope located in the disconnect kit. Cut off the appropriate number for the size disconnect being installed (40 Amp = 1; 80 Amp = 2; 100 Amp = 3). The label has a pressure sensitive adhesive back so that the number can be placed over the "0" as shown in Figure 14.

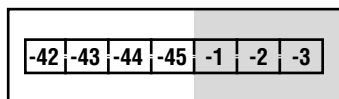


WIRING (Cont'd)



KUH-30 through KUH-45 units with 2 contactors where the total load exceeds 48 Amp and sub-circuit fuse blocks are provided.

Figure 12



Number 1, 2 or 3 designates the Disconnect Code for Kit.
1 = 40 Amp; 2 = 80 Amp; 3 = 100 Amp

Figure 13 — Pressure Sensitive Label

Chromalox [®]		WIEGAND INDUSTRIAL DIVISION	
INDUSTRIAL HEATING PRODUCTS		EMERSON ELECTRIC CO.	
CATALOG NO.	LUH - D - 07 - 43 - 32 - 00 - 0	← Place Number at the end of the Catalog Number	
MFG. PART NO.	004 - 303375 - 265	DATE CODE	
MIN. CIRC. CAP.	AMPS	MAX. CIRC. FUSE	AMPS
RATING	KW	V.A.C. ONLY	PH
HEATER	7.5	480V	3
MOTOR		480V	1
CONT. CKT.		120V	1
SERIAL			

Figure 14 — Nameplate

REPLACEMENT PARTS LIST

Disconnect Size	Kit Model #	Disconnect	Cover Plate	Mounting Bracket
50 Amp	EDS-1	292-303472-001	220-303485-002	
80 Amp	EDS-2	292-303472-002	220-303485-002	220-303484-003
100 Amp	EDS-3	292-303472-008	220-303485-002	220-303484-003

WARRANTY AND LIMITATION OF REMEDY AND LIABILITY

Chromalox warrants only that the Products and parts manufactured by Chromalox, when shipped, and the work performed by Chromalox when performed, will meet all applicable specification and other specific product and work requirements (including those of performance), if any, and will be free from defects in material and workmanship under normal conditions of use. All claims for defective or nonconforming (both hereinafter called defective) Products, parts or work under this warranty must be made in writing immediately upon discovery, and in any event, within one (1) year from delivery, provided, however all claims for defective Products and parts must be made in writing no later than eighteen (18) months after shipment by Chromalox. Defective and nonconforming items must be held for Chromalox's inspections and returned to the original f.o.b. point upon request. THE FOREGOING IS EXPRESSLY IN LIEU OF ALL OTHER WARRANTIES WHATSOEVER, EXPRESS, IMPLIED AND STATUTORY, INCLUDING, WITHOUT LIMITATION, THE IMPLIED WARRANTIES OF MERCHANTABILITY AND FITNESS FOR A PARTICULAR PURPOSE.

Notwithstanding the provisions of this WARRANTY AND LIMITATION Clause, it is specifically understood that Products and parts not manufactured and work not performed by Chromalox are warranted only to the extent and in the manner that the same are warranted to Chromalox by Chromalox's vendors, and then only to the extent that Chromalox is reasonably able to enforce such warranty, it being understood Chromalox shall have no obligation to initiate litigation unless Buyer undertakes to pay all cost and expenses

thereof, including but not limited to attorney's fees, and indemnifies Chromalox against any liability to Chromalox's vendors arising out of such litigation.

Upon Buyer's submission of a claim as provided above and its substantiation, Chromalox shall at its option either (i) repair or replace its Products, parts or work at the original f.o.b. point of delivery or (ii) refund an equitable portion of the purchase price.

THE FOREGOING IS CHROMALOX'S ONLY OBLIGATION AND BUYER'S EXCLUSIVE REMEDY FOR BREACH OF WARRANTY, AND IS BUYER'S EXCLUSIVE REMEDY AGAINST CHROMALOX FOR ALL CLAIMS ARISING HEREUNDER OR RELATING HERETO WHETHER SUCH CLAIMS ARE BASED ON BREACH OF CONTRACT, TORT (INCLUDING NEGLIGENCE AND STRICT LIABILITY) OR OTHER THEORIES, BUYER'S FAILURE TO SUBMIT A CLAIM AS PROVIDED ABOVE SHALL SPECIFICALLY WAIVE ALL CLAIMS FOR DAMAGES OR OTHER RELIEF, INCLUDING BUT NOT LIMITED TO CLAIMS BASED ON LATENT DEFECTS. IN NO EVENT SHALL BUYER BE ENTITLED TO INCIDENTAL OR CONSEQUENTIAL DAMAGES AND BUYER SHALL HOLD CHROMALOX HARMLESS THEREFROM. ANY ACTION BY BUYER ARISING HEREUNDER OR RELATING HERETO, WHETHER BASED ON BREACH OF CONTRACT, TORT (INCLUDING NEGLIGENCE AND STRICT LIABILITY) OR OTHER THEORIES, MUST BE COMMENCED WITHIN ONE (1) YEAR AFTER THE DATE OF SHIPMENT OR IT SHALL BE BARRED.

W2008M

Chromalox[®]

PRECISION HEAT AND CONTROL

2150 N. RULON WHITE BLVD., OGDEN, UT 84404
Phone: 1-800-368-2493 www.chromalox.com