

Chromalox®

Installation, Operation

and

RENEWAL PARTS IDENTIFICATION

SERVICE REFERENCE

DIVISION 4	SECTION LUH
SALES REFERENCE (Supersedes PF448-5)	PF448-6
161-057821-001	
DATE	DECEMBER, 2000

Thermostat Kits

Model Number LUH-TK1 (SPST)

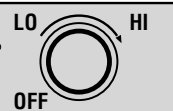
Model Number LUH-TK2 (DPST)

For field installation only in LUH-02 through LUH-45 heaters

SPECIFICATIONS

1. Temperature Range: 40°F to 90°F.
2. Differential: 5°F.
3. Non-inductive Rating:
 - 24V @ 25 Amperes
 - 120V @ 25 Amperes
 - 240V @ 25 Amperes
 - 277V @ 22 Amperes

Chromalox®



GENERAL

The following procedure contains instructions for installing thermostat kits LUH-TK1 and LUH-TK2 in LUH-02 through LUH-45 Heaters.

⚠ WARNING

ELECTRIC SHOCK HAZARD. Disconnect all power before installing thermostat kit. Failure to do so could result in personal injury or property damage. Heater must be installed by a qualified person in accordance with the National Electrical Code, NFPA 70.

⚠ WARNING

Hazard of Electric Shock. Disconnect all power before installing. This kit must be installed by a qualified person.

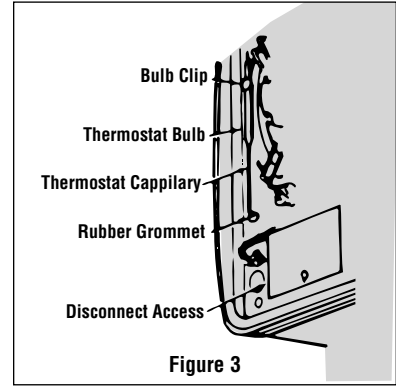
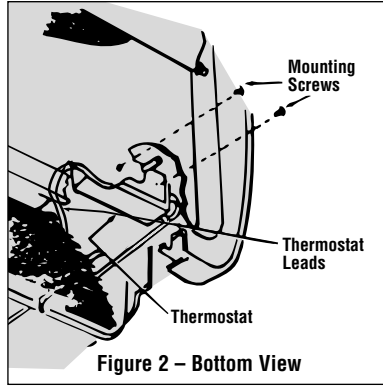
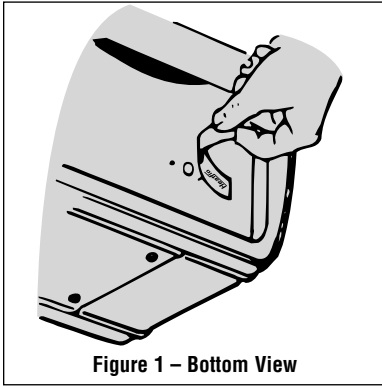
INSTALLATION

1. Peel off "Chromalox" decal located at the bottom right corner of the front of the heater. Removal of this label will reveal the thermostat shaft hole and two mounting holes which are factory drilled on all heaters. (See Figure 1).
2. Open hinged access door at bottom of heater and insert thermostat through the shaft hole in the front cover, assuring that thermostat leads are toward the inside of the case. (See Figure 2.) Align mounting holes and fasten with the mounting screws provided with the kit.
3. Refer to specific wiring diagram figure number (from Table 1, page 2) for electrical connections of the thermostat leads and follow directions under corresponding figure number.

Complete all electrical connections indicated before proceeding to step 4.

4. Insert bulb clip in factory drilled hole located on heater back. (See Figure 3.)
5. Feed thermostat capillary (be careful not to kink or make any sharp bends) out through the factory drilled hole located on heater back directly beneath motor conduit. Snap the tip of the thermostat bulb into the bulb clip. (See Figure 3.)
6. Make a lengthwise cut with knife through the rubber grommet provided and insert the grommet over the capillary.
7. Install the grommet into factory drilled hole on back of heater. (See Figure 3.)
8. Install new label over the thermostat shaft. Install thermostat knob.

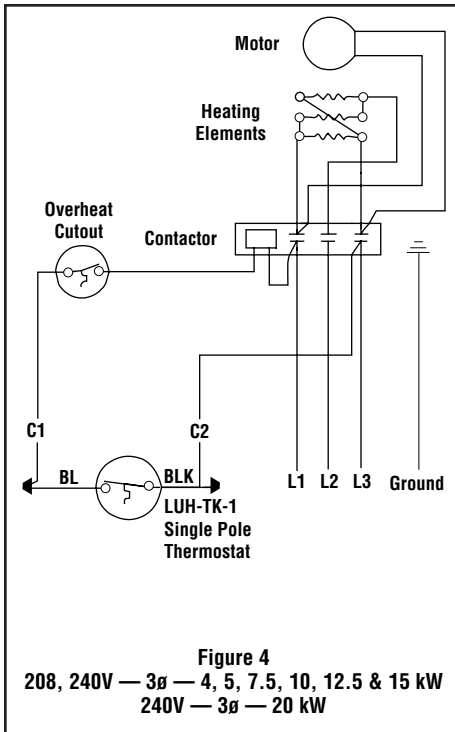
INSTALLATION



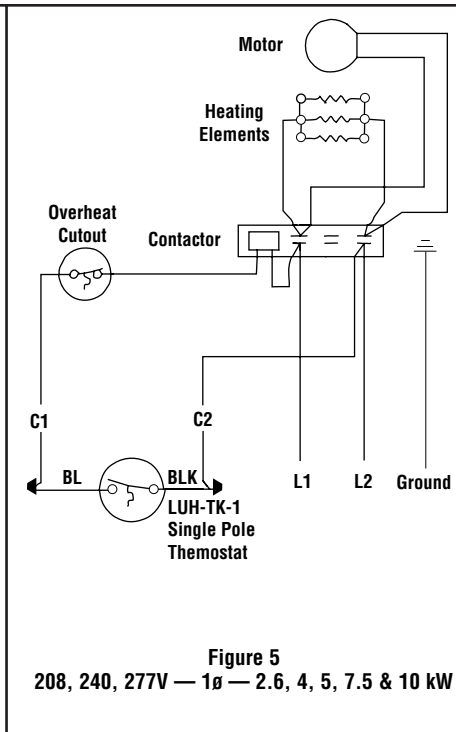
WIRING DIAGRAMS

Model No.	Volts	Phase	kW	Thermostat Kit No.	Wiring Diagram Figure No.	Built-in Contactor	Built-in Transformer
LUH-D-02-81	208	1	2.6	LUH-TK-1	5	YES	NO
LUH-D-02-21	240	1	2.6	LUH-TK-1	5	YES	NO
LUH-D-02-71	277	1	2.6	LUH-TK-1	5	YES	NO
LUH-D-04-81	208	1	4	LUH-TK-1	5	YES	NO
LUH-D-04-83	208	3	4	LUH-TK-1	4	YES	NO
LUH-D-04-21	240	1	4	LUH-TK-1	5	YES	NO
LUH-D-04-23	240	3	4	LUH-TK-1	4	YES	NO
LUH-D-04-71	277	1	4	LUH-TK-1	5	YES	NO
LUH-D-04-43	480	3	4	LUH-TK-1	6	YES	YES
LUH-D-05-81	208	1	5	LUH-TK-1	5	YES	NO
LUH-D-05-83	208	3	5	LUH-TK-1	4	YES	NO
LUH-D-05-21	240	1	5	LUH-TK-1	5	YES	NO
LUH-D-05-23	240	3	5	LUH-TK-1	4	YES	NO
LUH-D-05-71	277	1	5	LUH-TK-1	5	YES	NO
LUH-D-05-43	480	3	5	LUH-TK-1	6	YES	YES
LUH-D-07-81	208	1	7.5	LUH-TK-1	5	YES	NO
LUH-D-07-83	208	3	7.5	LUH-TK-1	4	YES	NO
LUH-D-07-21	240	1	7.5	LUH-TK-1	5	YES	NO
LUH-D-07-23	240	3	7.5	LUH-TK-1	4	YES	NO
LUH-D-07-71	277	1	7.5	LUH-TK-1	5	YES	NO
LUH-D-07-43	480	3	7.5	LUH-TK-1	6	YES	YES
LUH-D-10-81	208	1	10	LUH-TK-1	5	YES	NO
LUH-D-10-83	208	3	10	LUH-TK-1	4	YES	NO
LUH-D-10-21	240	1	10	LUH-TK-1	5	YES	NO
LUH-D-10-23	240	3	10	LUH-TK-1	4	YES	NO
LUH-D-10-43	480	3	10	LUH-TK-1	6	YES	YES
LUH-D-12-83	208	3	12.5	LUH-TK-1	4	YES	NO
LUH-D-12-23	240	3	12.5	LUH-TK-1	4	YES	NO
LUH-D-12-43	480	3	12.5	LUH-TK-1	6	YES	YES
LUH-D-15-83	208	3	15	LUH-TK-1	4	YES	NO
LUH-D-15-23	240	3	15	LUH-TK-1	4	YES	NO
LUH-D-15-23	480	3	15	LUH-TK-1	6	YES	YES
LUH-D-20-23	240	3	20	LUH-TK-1	4	YES	NO
LUH-D-20-43	480	3	20	LUH-TK-1	6	YES	YES
LUH-D-25-43 To LUH-D-45-43	480	3	25 - 45	LUH-TK-1	6	YES	YES
Heaters with Optional External 120V Controls	All Voltages	1	2.6, 4, 5, 7.5, 10	LUH-TK-1 LUH-TK-2	8 10	YES	NO
Heaters with Optional External 120V Controls	All Voltages	3	4, 5, 7.5, 10, 12, 12.5, 15, 20, 25, 30, 35, 40, 45	LUH-TK-1 LUH-TK-2	9 11	YES	NO

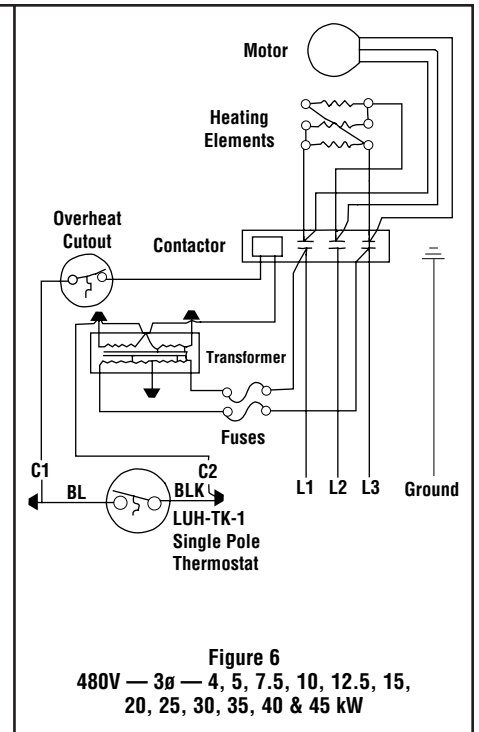
WIRING DIAGRAMS



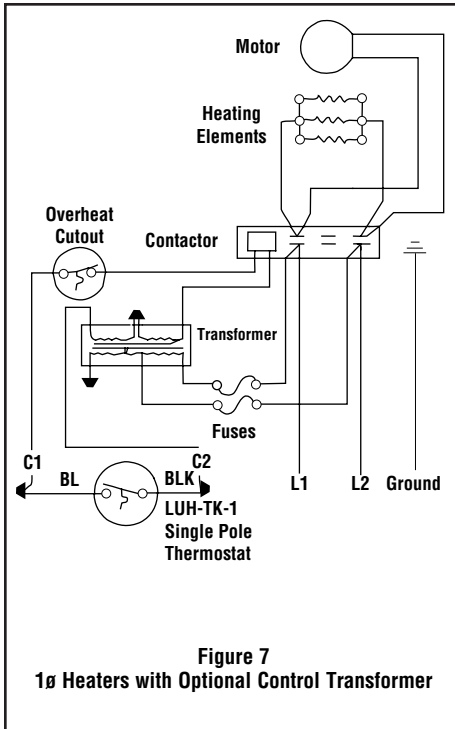
Connect single pole thermostat blue lead (BL) to heater lead C1 and black lead (BLK) to C2 using wire nut provided.



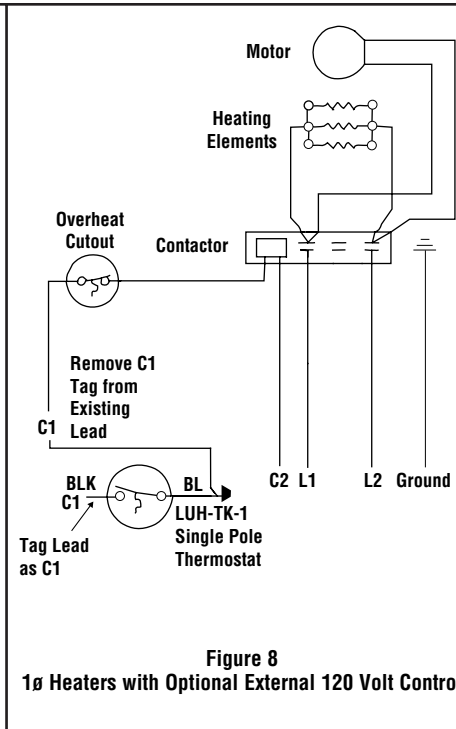
Connect single pole thermostat blue lead (BL) to heater lead C1 and black lead (BLK) to C2 using wire nuts provided.



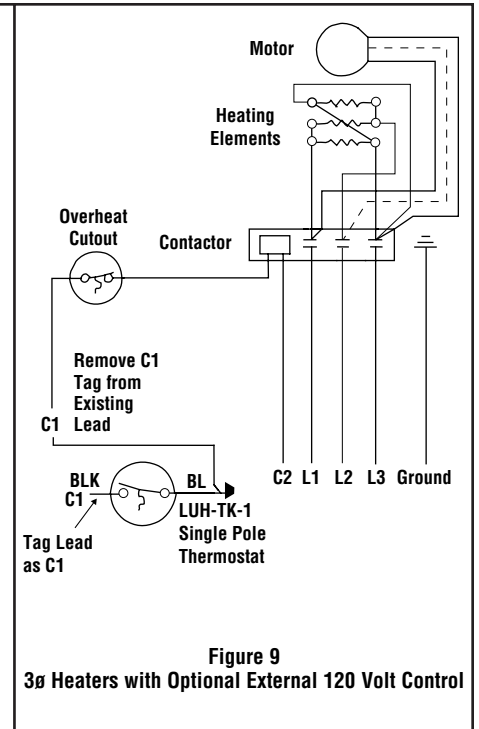
Connect single pole thermostat blue lead (BL) to heater lead C1 and black lead (BLK) to C2 using wire nuts provided.



Connect single pole thermostat blue lead (BL) to heater lead C1 and black lead (BLK) to C2 using wire nuts provided.



Connect single pole thermostat blue lead (BL) to heater lead C1 using the wire nut provided. Remove the C1 wire marker from the heater lead and attach to thermostat black lead (BLK).

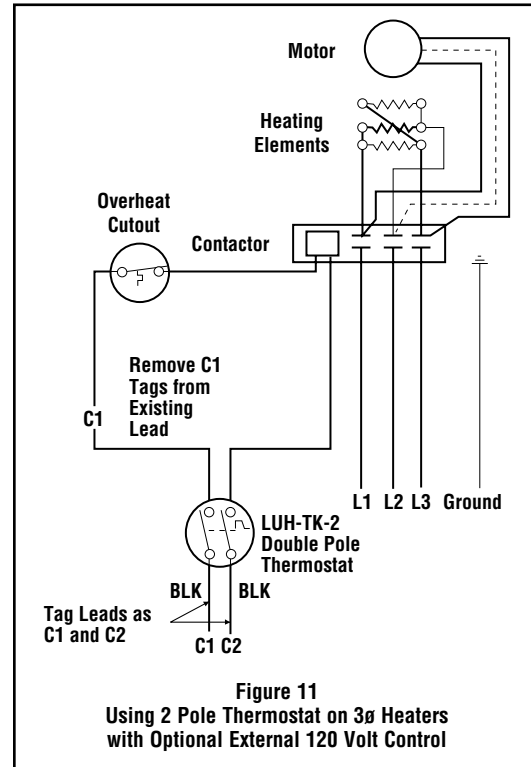
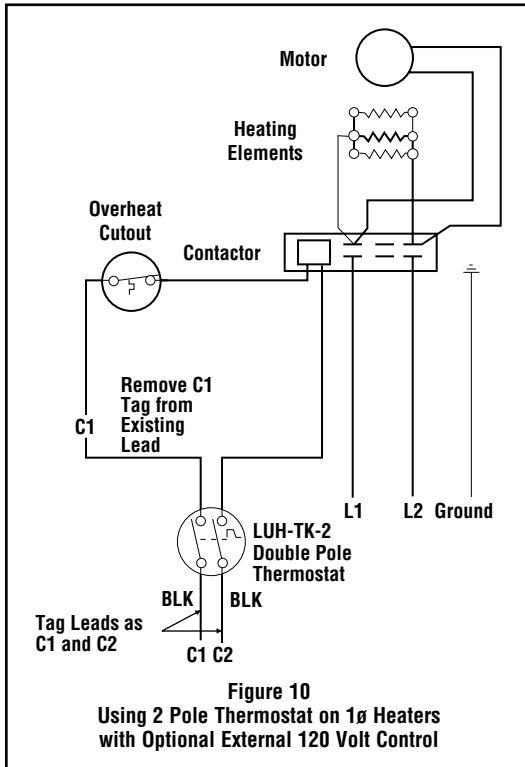


Connect single pole thermostat blue lead (BL) to heater lead C1 using the wire nut provided. Remove the C1 wire marker from the heater lead and attach to thermostat black lead (BLK).

RENEWAL PARTS IDENTIFICATION

	LUH-TK-1 Components Kit Part Number*	LUH-TK-2 Components Kit Part Number*
Thermostat	300-049197-003	300-049197-004
Screws	248-049282-021 (2)	248-049282-021 (2)
Rubber Grommet	135-075436-008	135-075436-008
Label Decal	170-049279-002	170-049279-002
Bulb Clip	059-304558-001	059-304558-001
Knob	169-049278-001	169-049278-001
Wire Nuts	070-075468-004 (2)	070-075468-004 (2)

*Number in Parentheses () indicates the quantity of that part required.



WARRANTY AND LIMITATION OF REMEDY AND LIABILITY

Chromalox warrants only that the Products and parts manufactured by Chromalox, when shipped, and the work performed by Chromalox when performed, will meet all applicable specification and other specific product and work requirements (including those of performance), if any, and will be free from defects in material and workmanship under normal conditions of use. All claims for defective or nonconforming (both hereinafter called defective) Products, parts or work under this warranty must be made in writing immediately upon discovery, and in any event, within one (1) year from delivery, provided, however all claims for defective Products and parts must be made in writing no later than eighteen (18) months after shipment by Chromalox. Defective and nonconforming items must be held for Chromalox's inspections and returned to the original f.o.b. point upon request. THE FOREGOING IS EXPRESSLY IN LIEU OF ALL OTHER WARRANTIES WHATSOEVER, EXPRESS, IMPLIED AND STATUTORY, INCLUDING, WITHOUT LIMITATION, THE IMPLIED WARRANTIES OF MERCHANTABILITY AND FITNESS FOR A PARTICULAR PURPOSE.

Notwithstanding the provisions of this WARRANTY AND LIMITATION Clause, it is specifically understood that Products and parts not manufactured and work not performed by Chromalox are warranted only to the extent and in the manner that the same are warranted to Chromalox by Chromalox's vendors, and then only to the extent that Chromalox is reasonably able to enforce such warranty, it being understood Chromalox shall have no obligation to initiate litigation unless Buyer undertakes to pay all cost and expenses therefor, including but not limited to attorney's fees, and indemnifies Chromalox against any liability to Chromalox's vendors arising out of such litigation.

Upon Buyer's submission of a claim as provided above and its substantiation, Chromalox shall at its option either (i) repair or replace its Products, parts or work at the original f.o.b. point of delivery or (ii) refund an equitable portion of the purchase price.

THE FOREGOING IS CHROMALOX'S ONLY OBLIGATION AND BUYER'S EXCLUSIVE REMEDY FOR BREACH OF WARRANTY, AND IS BUYER'S EXCLUSIVE REMEDY AGAINST CHROMALOX FOR ALL CLAIMS ARISING HEREUNDER OR RELATING HERETO WHETHER SUCH CLAIMS ARE BASED ON BREACH OF CONTRACT, TORT (INCLUDING NEGLIGENCE AND STRICT LIABILITY) OR OTHER THEORIES, BUYER'S FAILURE TO SUBMIT A CLAIM AS PROVIDED ABOVE SHALL SPECIFICALLY WAIVE ALL CLAIMS FOR DAMAGES OR OTHER RELIEF, INCLUDING BUT NOT LIMITED TO CLAIMS BASED ON LATENT DEFECTS. IN NO EVENT SHALL BUYER BE ENTITLED TO INCIDENTAL OR CONSEQUENTIAL DAMAGES AND BUYER SHALL HOLD CHROMALOX HARMLESS THEREFROM. ANY ACTION BY BUYER ARISING HEREUNDER OR RELATING HERETO, WHETHER BASED ON BREACH OF CONTRACT, TORT (INCLUDING NEGLIGENCE AND STRICT LIABILITY) OR OTHER THEORIES, MUST BE COMMENCED WITHIN ONE (1) YEAR AFTER THE DATE OF SHIPMENT OR IT SHALL BE BARRED.

W2008M

Chromalox[®]
PRODUCT SERVICE
2150 N. RULON WHITE BLVD., OGDEN, UT 84404
Phone: 1-800-368-2493