

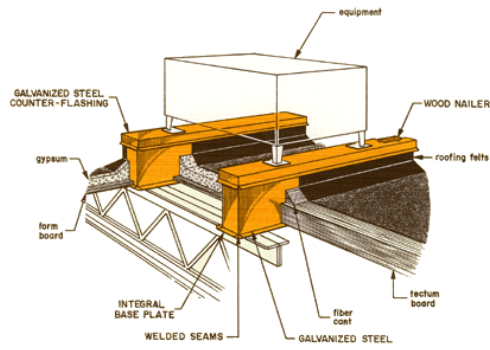


SPECIFY RPS FOR ALL ROOFTOP SUPPORTS

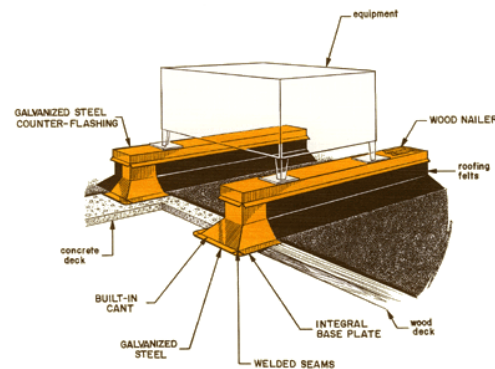
RPS EQUIPMENT RAILS are a sure, economical, roof equipment pedestal with continuous wood nailer for the proper attachment of roofing felts, along with removable counterflashing which offers maximum assurance of a watertight installation.

- ELIMINATES THE MAKESHIFT AND AVOIDS OVERDESIGN

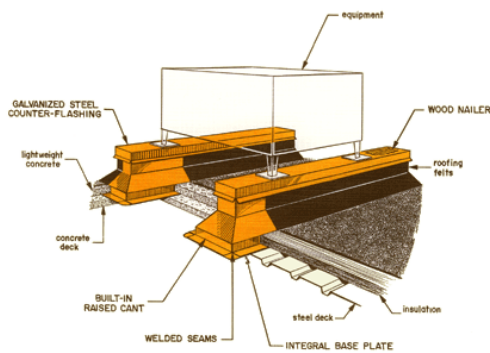
RPS EQUIPMENT RAILS provide a standardized support fabricated from heavy gauge galvanized steel with continuous welded corners and designed with the structural integrity to support the majority of all roof mounted equipment.



ER-2A & B STYLE
(Straight-sided)



ER-3A & B STYLE
(Built-in Cant)



ER-4A & B STYLE
(Raised, Built-in Cant)

[STANDARD LOAD TABLES FOR RPS EQUIPMENT RAILS](#)

ROOF PRODUCTS & SYSTEMS • 815 KIMBERLY DRIVE • CAROL STREAM, IL 60188 • TEL: (800) 624-8642 • FAX: (866) 466-9335

All information is subject to change without notice. Dimensions and specifications shown are within manufacturing tolerances.
© Copyright Commercial Products Group of Hart & Cooley, Inc., November 2007. All Rights Reserved.