

3470/SCH SERIES

SURFACE MOUNTING - CEILING ONLY

INSTALLATION INSTRUCTIONS

INSTALLATION INSTRUCTIONS



TPI Corporation
P.O. Box 4973
Johnson City, TN
37602-4973

America's Comfort Conditioning Company

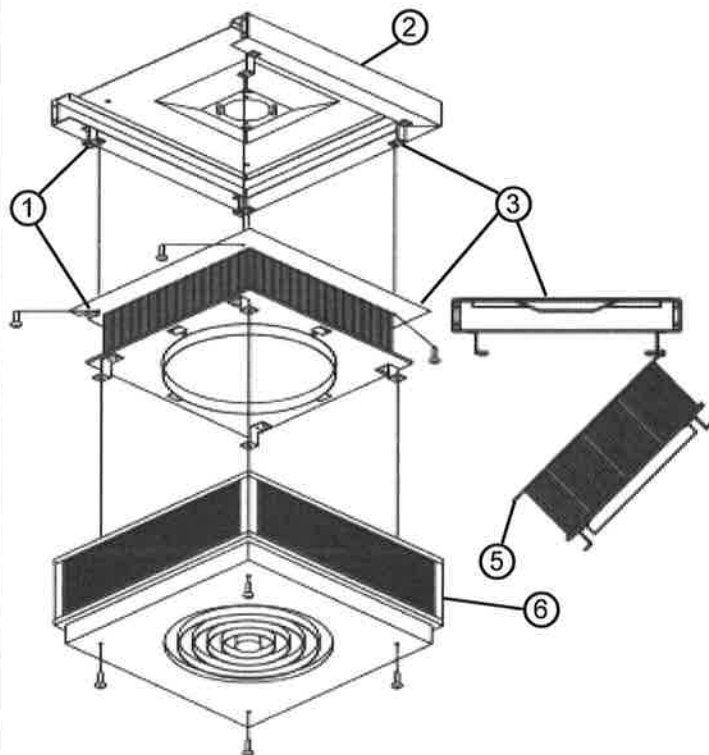
MOUNT HORIZONTAL POSITION ONLY.

DO NOT INSTALL ANY CLOSER THAN 12" TO NEAREST WALL

CHECK TO SEE THAT SERVICE VOLTAGE IS THE SAME AS HEATER VOLTAGE.

ALL WIRING MUST CONFORM TO THE NATIONAL ELECTRIC CODE AND EXISTING LOCAL CODE REQUIREMENTS.

WARNING: To avoid risk of fire, shock or personal injury make certain that the power source is disconnected before attempting to install, service, clean or disassemble the heater or any component. If the power disconnect is out of the line of sight, lock it in the open position and tag it to prevent the application of power.



ATTENTION: Read carefully before attempting to install or operate the heater.

1. Detach heater unit from ceiling mounting plate or control section by disengaging the stabilizing arms on ceiling plate from heater unit. Four (4) #8 drive screws.
2. Install ceiling mounting plate or control section to standard ceiling outlet box (4") with (2) #8-32 x 1 1/4 machine screws provided.
3. Hang heater unit from two stabilizing arms being sure to engage the two arms with the hooked ends on ceiling plate or control section with the two slots in heater back plate.
4. Connect heater leads to corresponding supply leads in outlet box (ordinary 60°C house wire can be used) and install ceiling plate access hole cover with (2) #8 drive screws that are provided.
5. Swing heater unit up to ceiling mounting plate or control section and secure with (4) #8 drive screws provided (one screw in each of the four stabilizing arms).
6. Install heater exterior casing by sliding straight over heater units. Rotate the exterior casing so that the two 1/4" dia. holes in the exterior casing align with the manual reset limit control located on the bottom of the venturi of the heater assembly. Secure to the four bracket arms on the heater case with 4 - 10/32 x 3/4 button head machine screws provided.

FORM: 9662
ECO 1-6958
REV. 05/14

IMPORTANT: OWNER SHOULD RETAIN THESE INSTRUCTIONS FOR FUTURE REFERENCE

IMPORTANT INSTRUCTIONS

When using electrical appliances, basic precautions should always be followed to reduce the risk of fire, electrical shock, and injury to persons, including the following:

1. Read all instructions before using this heater.
2. **CAUTION:** High temperatures. Keep cords and all other combustible material, such as furniture, papers, clothes and curtains away from the heater. For safe and efficient operation, keep an open space around heater of three feet in front and 12 inches at ends and rear.

ATTENTION: Les températures élevées. Gardez les cordons et tout autre matériau combustible, tels que les meubles, papiers, vêtements et rideaux à l'extérieur de l'appareil de chauffage. Pour un fonctionnement sûr et efficace, garder un espace ouvert autour de chauffage de trois pieds à l'avant et 12 pouces aux extrémités et à l'arrière.
3. Extreme caution is necessary when any heater is used by or near children or invalids and whenever the heater is left operating and unattended.
4. Do not operate any heater after it malfunctions, has been dropped or damaged in any manner. Return heater to authorized service facility for examination, electrical or mechanical adjustment, or repair.
5. Do not use outdoors.
6. To disconnect heater, turn controls to off, and turn off power to heater circuit at main disconnect panel (or operate internal disconnect switch if provided).
7. Do not insert or allow foreign objects to enter any ventilation or exhaust opening as this may cause an electric chock or fire, or damage the heater.
8. To prevent a possible fire, do not block air intakes or exhaust in any manner.
9. A heater has hot and arcing or sparking parts inside. **WARNING: Do not use it in area where gasoline, paint or flammable liquids are used or stored.**
14. Use this heater only as described in this manual. Any other use not recommended by the manufacturer may cause fire, electric shock, or injury to persons.
10. This heater may include an audible or visual alarm to warn that parts of the heater are getting excessively hot. If the alarm sounds (or illuminates), immediately turn the heater off and inspect for any objects on or adjacent to the heater that may have blocked the airflow or otherwise caused high temperatures to have occurred.
DO NOT OPERATE THE HEATER WITH THE ALARM SOUNDING (OR ILLUMINATING).

11. SAVE THESE INSTRUCTIONS

OPERATION

1. Turn on the power supply to heater.
2. Rotate thermostat knob fully clockwise.
3. Allow the room to reach desired temperature, then rotate thermostat knob counter clockwise until the heater de-energizes.

FORM: 9662
ECO 1-6958
REV. 05/14

3470/ACH Series

CAUTION: To avoid the risk of fire, shock or personal injury; do not insert or allow any foreign objects or hands to enter any ventilation or exhaust openings.

THERMAL CUTOUT IDENTIFICATION

All 480V Models employ a automatic limit control.

208, 240 and 277V models employ a capillary manual reset limit control.

Models with capillary type manual reset limit control. This device is located on the heater venturi (bottom of unit as installed) with the capillary routed around the outside of the element assembly.

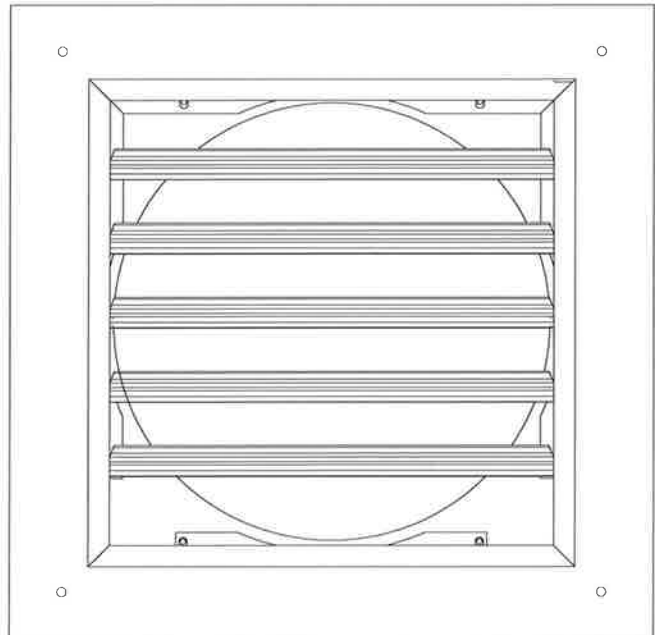
THERMAL CUTOUT OPERATION (WITH CAPILLARY MANUAL RESET)

To reset thermal cutout, first disconnect power from the unit allowing time to cool, locate the two 1/4" dia. openings in the front grille. Using a small screwdriver or pencil press the reset button (with minimal amount of force) through the 1/4" opening, then restore power to the unit. If fault continues disconnect power and check for causes.

THERMAL CUTOUT (480 volt models)

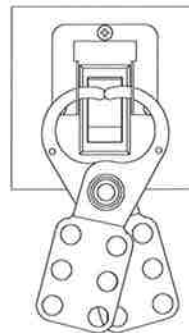
If for any reason temperatures increase beyond normal limits, safety thermal limit will open de-energizing heating element and fan motor. Check entire installation to determine cause of overheating and take corrective measures. The limit control is the automatic reset type and after cooling will reset, allowing heater to resume operation.

OPTIONAL LOUVERED DIFFUSER



The factory installed louvered diffuser can be adjusted to direct air flow as desired. If necessary the louvered diffuser can be rotated 90 degrees by removing the four mounting screws and turning the louvered diffuser to the desired position and attaching to the grille. Care must be taken to align the notched corners of the diffuser frame with the reset holes in the grille. The louvered diffuser cannot be used in conjunction with the standard circular outlet.

SWITCH LOCKOUT



For switch lockout hasp or padlock thru bracket as shown.

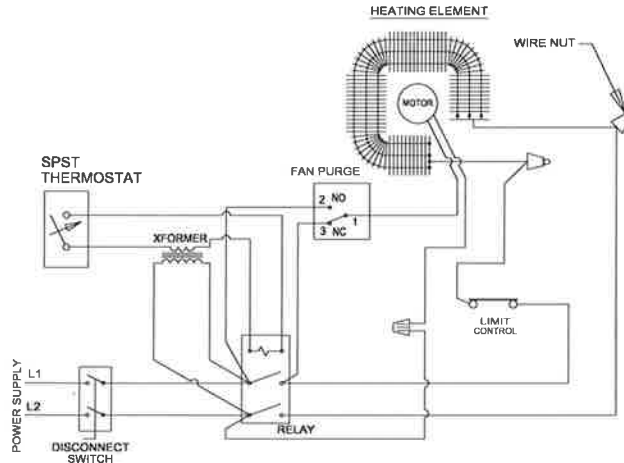
MAINTENANCE AND CLEANING

DISCONNECT POWER BEFORE ATTEMPTING ANY SERVICE

The heater should be cleaned at least annually to prevent excess build-up of dirt and lint accumulated under normal operating conditions. In an unusually dirty environment the cleaning should be done more often. Using a vacuum cleaner with soft brush attachment, clean the the intake and discharge openings of any accumulated dirt or lint. The fan blade and elements may be cleaned after removing the front cover. The face plate can be cleaned with damp cloth and mild detergent.

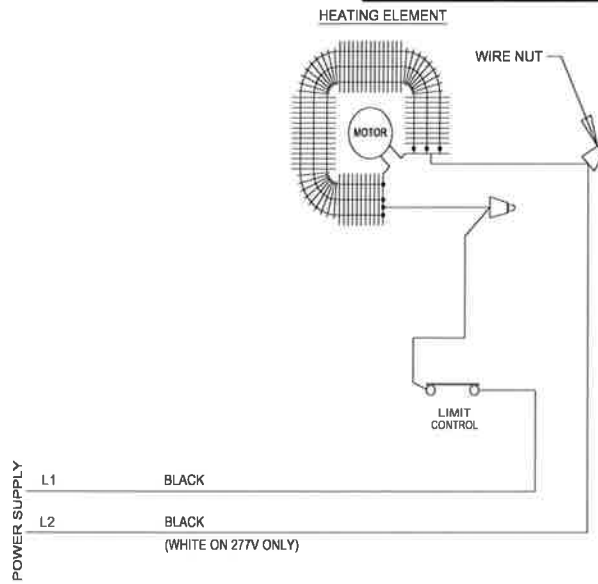
3470 / SCH SERIES CEILING HEATER WIRING DIAGRAM

**TYPICAL WIRING DIAGRAM
FOR BASIC SINGLE PHASE
UNITS WITH CONTROLS**



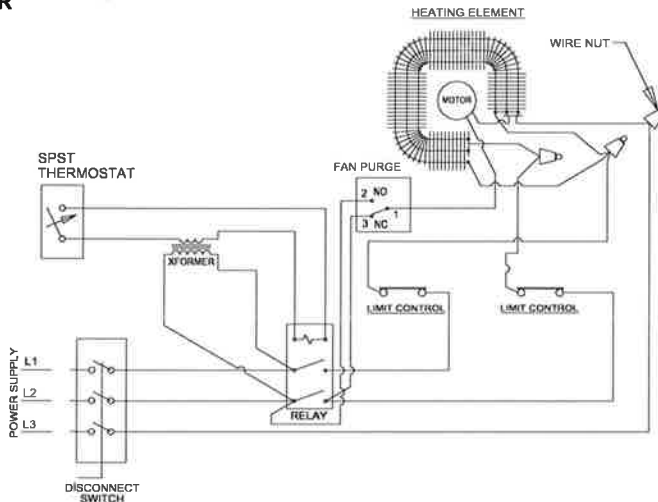
WD-1

**TYPICAL WIRING DIAGRAM
FOR BASIC SINGLE PHASE
UNITS WITHOUT CONTROLS**



WD-2

**TYPICAL WIRING DIAGRAM FOR
THREE PHASE UNITS WITH
CONTROLS**



WD-3

FORM: 9662
ECO 1-6958
REV. 05/14