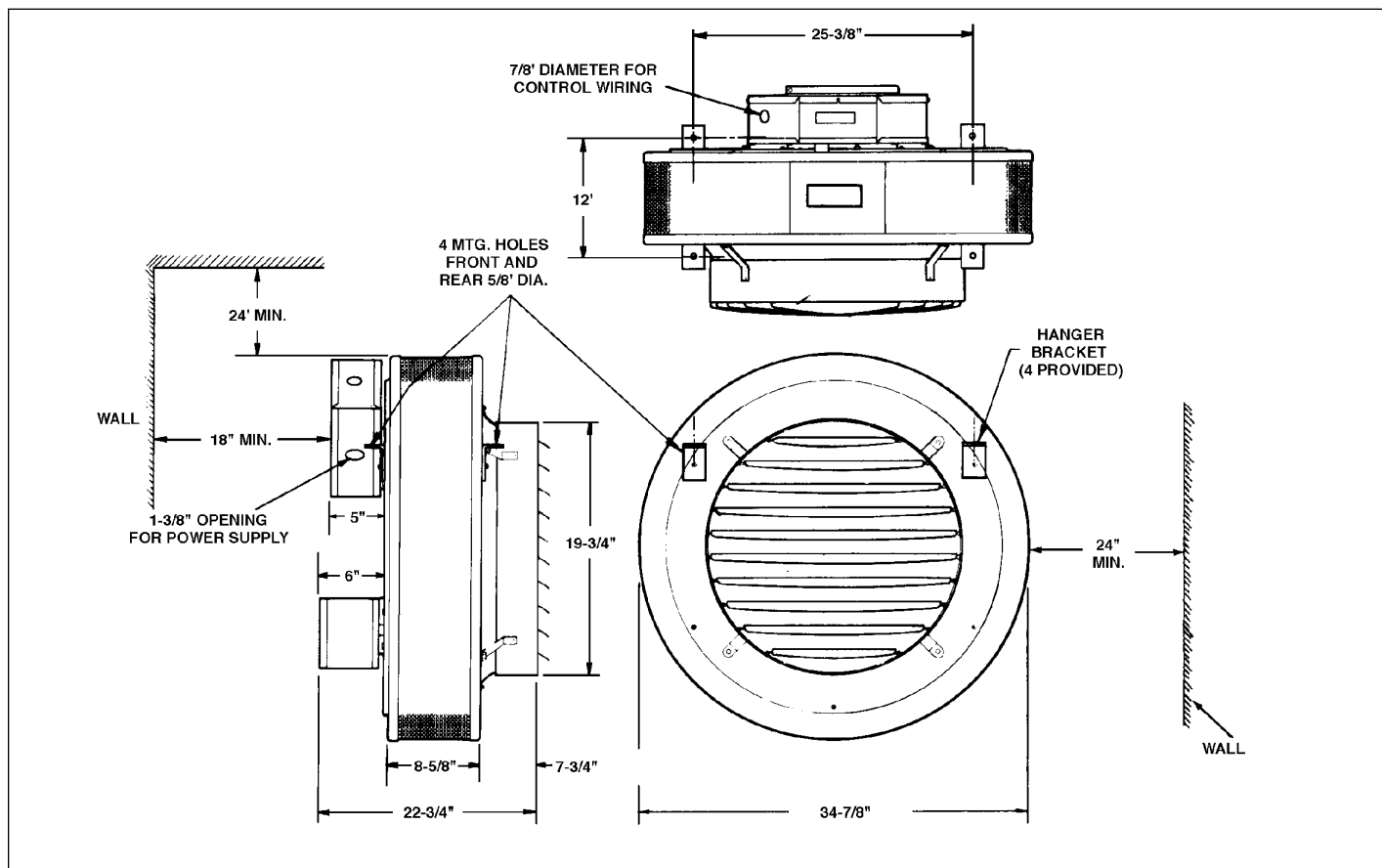


### SUBMITTAL DATA "power-throw" electric unit heaters models PTE300, PTE400, PTE500



Approximate shipping weight for each model is 132 lbs.

**Table 1  
Wiring Data**

Model No.	Max. Capacity	Power Supply	Total* Amps.	Min. Wire Size (AWG)	Wire Type	Min. Conduit Size
PTE300**	30KW	480/3	37.6	6	THW	1
PTE400**	40KW	480/3	49.6	6	THW	1
PTE500**	50KW	480/3	61.5	4	THW	1

\* NEC fuse requirements are 125 percent of total amperes. Includes fan motor current. Check with local code. All contactor coils are rated at 208-240 volts.

\*\* On first stage operation of these models, the capacity and amps are approximately one-half those shown.

**Table 2  
Motor Specifications**

Model No.	HP	Volt	Ph	Amp.	Hertz	RPM	Motor Type w/ Tol	Bearing Type
PTE300	1/6	208-230	1	1.54	60	1075	Totally Enclosed PSC	Ball
PTE400	1/6	208-230	1	1.54	60	1075	Totally Enclosed PSC	Ball
PTE500	1/6	208-230	1	1.54	60	1075	Totally Enclosed PSC	Ball