



INSTALLATION AND SERVICE MANUAL

electric unit heaters

model HER



FOR YOUR SAFETY

The use and storage of gasoline or other flammable vapors and liquids in open containers in the vicinity of this appliance is hazardous.

Inspection on Arrival

1. Inspect unit upon arrival. In case of damage, report it immediately to transportation company and your local Modine sales representative.
2. Check rating plate on unit to verify that power supply and motor specification requirements meets available electric power at the point of installation.
3. Inspect unit upon arrival for conformance with description of product ordered (including specifications where applicable).

General Information

Installation and wiring of these electric unit heaters must conform to all applicable local codes and the National Electric Code. Wiring of these electric unit heaters should only be performed by a qualified electrician.

Table of Contents

General Information.....	1
Special Precautions / Important Information.....	2
SI (Metric) Conversion Factors	2
Unit Location	3
Unit Mounting	3
Installation	4
Electrical Connections	4
Operation.....	5
Operating Sequence.....	5
Dimensional Data	6
Performance Data	6
Motor Specifications	6
General Maintenance & Troubleshooting.....	7
Warranty	Back Page

! WARNING

Improper installation, adjustment, alteration, service or maintenance can cause property damage, injury or death, and could cause exposure to substances which have been determined by various state agencies to cause cancer, birth defects or other reproductive harm. Read the installation, operating and maintenance instructions thoroughly before installing or servicing this equipment.

IMPORTANT

The use of this manual is specifically intended for a qualified installation and service agency. A qualified installation and service agency must perform all installation and service of these appliances.

SPECIAL PRECAUTIONS / IMPORTANT INSTRUCTIONS

SPECIAL PRECAUTIONS / IMPORTANT INSTRUCTIONS

THE INSTALLATION AND MAINTENANCE INSTRUCTIONS IN THIS MANUAL MUST BE FOLLOWED TO PROVIDE SAFE, EFFICIENT AND TROUBLE-FREE OPERATION. IN ADDITION, PARTICULAR CARE MUST BE EXERCISED REGARDING THE SPECIAL PRECAUTIONS LISTED BELOW. FAILURE TO PROPERLY ADDRESS THESE CRITICAL AREAS COULD RESULT IN PROPERTY DAMAGE OR LOSS, PERSONAL INJURY, OR DEATH. THESE INSTRUCTIONS ARE SUBJECT TO ANY MORE RESTRICTIVE LOCAL OR NATIONAL CODES.

HAZARD INTENSITY LEVELS

1. **DANGER:** Indicates an imminently hazardous situation which, if not avoided, WILL result in death or serious injury.
2. **WARNING:** Indicates a potentially hazardous situation which, if not avoided, COULD result in death or serious injury.
3. **CAUTION:** Indicates a potentially hazardous situation which, if not avoided, MAY result in minor or moderate injury.
4. **IMPORTANT:** Indicates a situation which, if not avoided, MAY result in a potential safety concern.

DANGER

Appliances must not be installed where they may be exposed to a potentially explosive or flammable atmosphere.

WARNING

1. Disconnect power supply before making wiring connections to prevent electrical shock and equipment damage.
2. All appliances must be wired strictly in accordance with wiring diagram furnished with the appliance. Any wiring different from the wiring diagram could result in a hazard to persons and property.
3. Ensure that the supply voltage to the appliance, as indicated on the serial plate, is not 5% greater than rated voltage.
4. When servicing or repairing this equipment, use only factory-approved service replacement parts. A complete replacement parts list may be obtained by contacting Modine Manufacturing Company. Refer to the rating plate on the appliance for complete appliance model number, serial number, and company address. Any substitution of parts or controls not approved by the factory will be at the owner's risk.
5. Do not operate any heater if it malfunctions. Disconnect power at service panel and have heater inspected by a qualified installation and service agency.
6. Do not insert or allow foreign objects to enter any ventilation or exhaust opening.
7. Use this heater only as described in this manual.
8. The heater is hot when in use. To avoid burns, do not let bare skin touch hot surfaces.

CAUTION

1. All literature shipped with this unit should be kept for future use for servicing or service diagnostics. Do not discard any literature shipped with this unit.
2. Be sure no obstructions block air intake or discharge of the appliance.
3. Do not install appliance outdoors.
4. Do not install appliance closer than 12 inches to combustible materials in any direction.
5. The bottom of the appliance for HER 30-50: must be at least - 6ft USA & 8ft Canada, HER 75-250: - 8ft.
6. Do not attach duct work, air filters, or polytubes to any appliance.
7. Ensure that the supply voltage to the appliance, as indicated on the serial plate, is not 5% less than the rated voltage.
8. Do not reuse any electrical component which has been wet. Such component must be replaced.
9. **SAVE THESE INSTRUCTIONS**

IMPORTANT

To check most of the Possible Remedies in the troubleshooting guide listed in Table 7.1, refer to the applicable sections of the manual.

SI (METRIC) CONVERSION FACTORS

Table 2.1

To Convert	Multiply By	To Obtain
"W.C.	0.24	kPa
psig	6.893	kPa
°F	(°F-32) x 0.555	°C
inches	25.4	mm
feet	0.305	meters
CFM	0.028	m ³ /min

To Convert	Multiply By	To Obtain
CFH	1.699	m ³ /min
Btu/ft ³	0.0374	mJ/m ³
pound	0.453	kg
Btu/hr	0.000293	kW/hr
gallons	3.785	liters
psig	27.7	"W.C.

INSTALLATION

UNIT LOCATION

! DANGER

Appliances must not be installed where they may be exposed to a potentially explosive or flammable atmosphere.

! CAUTION

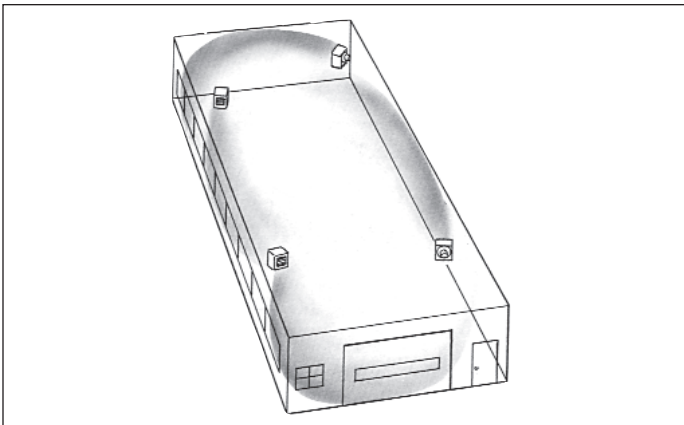
1. Be sure no obstructions block air intake or discharge of the appliance.
2. Do not install appliance outdoor, wet, or moist locations.

In locating units, consider general space-heating requirements of the area. Unit heaters should be located so they discharge air nearly parallel to exposed walls. Arrange units so they do not blow directly at occupants. Interference of air streams by columns, beams, partitions, or other obstructions should be avoided as much as possible.

In multiple unit installations, arrange units so that each supports the air stream of the next unit, thus creating circulatory air movement in the area. See Figure 3.1. A large portion of the heated air should be directed toward the side of the building exposed to prevailing winds.

Height at which unit heaters are installed is critical. Maximum mounting heights for all units are listed in Table 6.2. The maximum mounting height for any unit is that height above which the unit will not deliver heated air to the floor. The maximum mounting heights must not be exceeded in order to assure maximum comfort.

Figure 3.1 - Typical Unit Locations



UNIT MOUNTING

! CAUTION

1. Do not install appliance closer than 12 inches to combustible materials in any direction.
2. The bottom of the appliance for HER 30-50: must be at least - 6ft USA & 8ft Canada, HER 75-250: - 8ft..
3. Do not attach duct work, air filters, or polytubes to any appliance.

It is recommended that adequate service access in excess of 18 inches be provided for the motor and fan.

Be sure the means of suspension is adequate to support the weight of the unit (**see note**). Clearances to combustibles as specified above must be strictly maintained. Do not install unit

heater above the maximum mounting height shown in Table 6.2 or below HER 30-50: - 6ft USA, 8ft Canada & HER 75-250: - 8ft. Two tapped holes (3/8" - 16) in the top of the unit are provided for unit heater suspension. Suspension can be made with threaded rods, pipes, or ceiling hanger brackets furnished by others. See Figure 6.1 for hanger hole locations and Figure 3.3 for suspension methods.

NOTE: A pipe hanger adapter kit, shown in Figure 3.3 is available as an accessory from Modine, or can be self-fabricated. Kit consists of two drilled 3/4" I.P.S. pipe caps and two 3/8" - 16 x 1-3/4" capscrews to facilitate threaded-pipe suspension. One kit is required for mounting each unit.

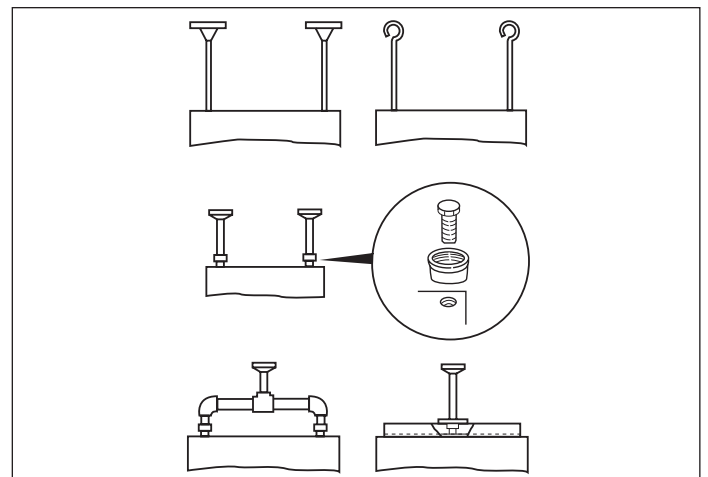
Wall-Mounting Bracket

For easier installation of Model HER electric unit heaters, where ceiling suspension is not feasible, a wall-mounting bracket kit is available. The bracket saves installation time, has a built-in wall clearance, and provides an inexpensive and convenient wall mounting method. The one-point suspension, shown in Figure 3.2, permits swiveling the unit 90 degrees horizontally for most effective air direction. Refer to separate bulletin furnished with the kit for bracket assembly and installation. Refer to Table 6.2 for maximum mounting height. Minimum mounting height is HER 30-50: - 6ft USA, 8ft Canada & HER 75-250: - 8ft.

Figure 3.1 - Typical Unit Locations



Figure 3.3 - Ceiling Suspension Methods



INSTALLATION

Electrical Connections

⚠ WARNING

1. Disconnect power supply before making wiring connections to prevent electrical shock and equipment damage.
2. All appliances must be wired strictly in accordance with wiring diagram furnished with the appliance. Any wiring different from the wiring diagram could result in a hazard to persons and property.
3. Ensure that the supply voltage to the appliance, as indicated on the serial plate, is not 5% greater than rated voltage.

⚠ CAUTION

1. Ensure that the supply voltage to the appliance, as indicated on the serial plate, is not 5% less than the rated voltage.

4. Make sure all multi-voltage components (motors, transformers, etc.) are wired in accordance with the power supply voltage.
5. The power supply to the unit must be protected with a fused or circuit breaker switch.
6. The power supply must be within 5% of the voltage rating and each phase must be balanced within 2% of each other. If not, advise the utility company.
7. External electrical service connections that must be installed include:
 - a. Supply power connection (208, 240, or 480 volts).
 - b. Connection of thermostats, or any other accessory control devices that may be supplied.
8. Additional electrical wiring details are as follows:
 1. Control wiring should be No. 14 AWG (American Wire Gauge).
 2. All 480 volt three-phase units have built-in transformers and fuses.
 3. All contactor coils are rated at 208-240 volts.
 4. Fuse blocks with fuses are factory installed on all 480 volt three-phase units to protect motor and transformer.
 5. Models HER200 and HER250 with 208- or 240-volt three phase power supply have two contactors.

1. Installation of wiring must conform with local building codes, or in the absence of local codes, with the National Electric Code ANSI/NFPA 70 - Latest Edition. Unit must be electrically grounded in conformance to this code. In Canada, wiring must comply with CSA C22.1, Part 1, Electrical Code.
2. Wire must be Type TW insulated for 60° C (140° F) or better.
3. Two copies of the unit wiring diagram are provided with each unit. One is located in the bottom control compartment access panel and the other is supplied in the literature packet. Refer to this diagram for all wiring connections.

Summer/Winter Switch

A summer/winter toggle switch kit is available for field installation. In the winter position the thermostat will cycle the fan on and off with the heating elements. In the summer position the fan runs continuously while the heating elements are controlled by the thermostat. Refer to separate bulletin included in the kit for installation and wiring.

Figure 4.1 - Control Panel Viewed from Unit Bottom

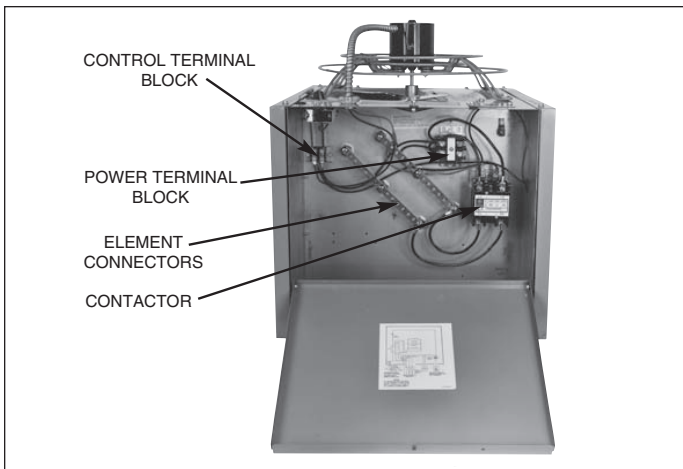


Figure 4.2 - Rear View with Unit Mounted T-stat

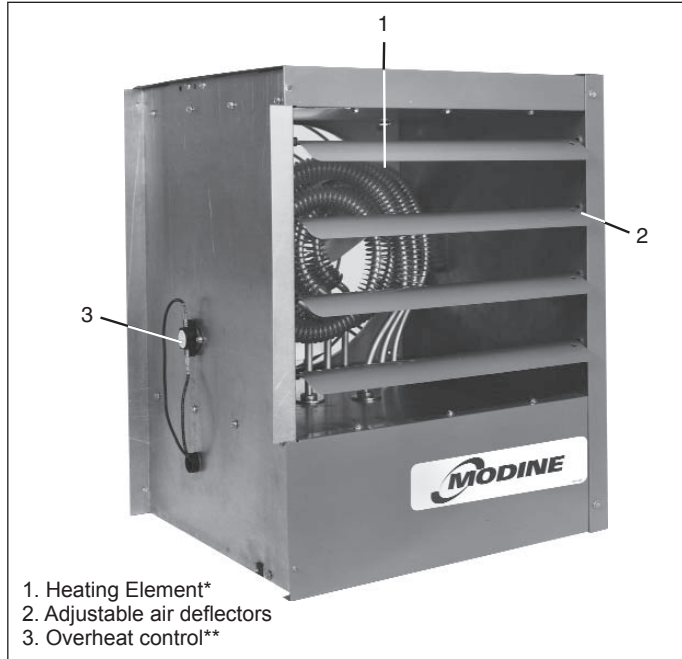


Table 4.1 - Wiring Data

Model Size	Power Code	Supply Voltage	Control Box Volume (cm ³)
30	11	208V/1ph	12,076.84
	12	240V/1ph	
	31	208V/3ph	
	32	240V/3ph	
	33	480V/3ph	
50	11	208V/1ph	
	12	240V/1ph	
	31	208V/3ph	
	32	240V/3ph	
	33	480V/3ph	
75	11	208V/1ph	17,563.11
	12	240V/1ph	
	31	208V/3ph	
	32	240V/3ph	
	33	480V/3ph	
100	11	208V/1ph	
	12	240V/1ph	
	31	208V/3ph	
	32	240V/3ph	
	33	480V/3ph	
125	31	208V/3ph	
	32	240V/3ph	
	33	480V/3ph	
150	31	208V/3ph	
	32	240V/3ph	
	33	480V/3ph	
200	31	208V/3ph	30,331.21
	32	240V/3ph	
	33	480V/3ph	
250	31	208V/3ph	
	32	240V/3ph	
	33	480V/3ph	

OPERATION

Figure 5.1 - Exposed Side of Electric Unit Heater



* Heating Elements are flipped in HER 30 and HER 50.

** Overheat Control is located on opposite side for HER 30 and HER 50

! WARNING

The heater must be properly installed before use.

IMPORTANT

Start-up and adjustment procedures must be performed by a qualified service agency.

Prior to Operation

Although this unit has been inspected and tested at the factory, the following procedures should be performed to assure proper on-site operation:

1. Check fan clearance. Fan should not contact casing when spun by hand.
2. Check all electrical connections to be sure they are secure, and in accordance with the wiring diagram.
3. Check firmness of unit suspension. Tighten all fasteners, if necessary.
4. Make sure fuses are installed in units that require them.

Safety Devices

The overheat control, mounted on the right inner side panel for HER 30-50 and left inner side panel for HER 75-250 (See Figure 5.1), will interrupt power to the unit contactor in the event of overheating. It is a single-pole, single-throw switch, with an automatic reset. The switch will permit the motor to continue operation and cool the heater while power to the elements is interrupted. **This overheat control should operate only when something is seriously wrong with the unit. When this control operates, correct the difficulty immediately or serious and permanent damage may result.**

The motor for the circulating air fan has internal thermal overload protection. If for any reason the motor overheats, the thermal protector will shut it off. The motor will restart automatically when it has cooled.

Initial Start-Up

1. Set thermostat above room temperature.
2. Turn on power to the unit.
3. Adjust the air deflector blades for desired heat distribution. All horizontal blades should be kept open a minimum of 45° as measured from vertical.
4. Run the unit through several cycles by raising and lowering the thermostat setting to assure proper sequence of operation.

Operating Sequence

The operation of Modine electric unit heaters is governed by an electrical contactor which is controlled by a thermostat. The contactor completes the electric circuit to the heating elements when the thermostat "calls" for heat. The fan motor is also activated when the thermostat "calls" for heat. When the thermostat is satisfied, the fan motor stops and the contactor opens the circuit to the heating elements.

DIMENSIONAL / PERFORMANCE DATA

Figure 6.1 - Dimensions (inches)

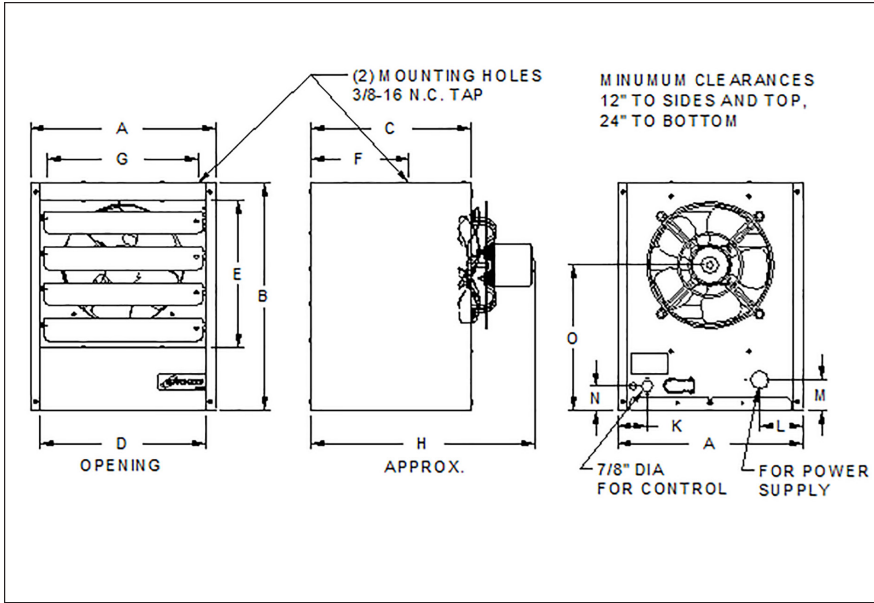


Table 6.1 - Outline Dimensions (inches)

Dimension	Model Size			
	30 - 50	75	100 - 150	200 - 250
A	14-1/4	16-7/8	16-7/8	18-7/8
B	17-1/2	20-7/8	20-7/8	24
C	12-1/4	14-3/4	14-3/4	20
D	12-7/8	14-1/2	14-1/2	16-1/2
E	11-3/8	13	13	16
F	7-1/2	8-7/8	9-5/8	12-5/8
G	11-5/8	13-1/2	13-1/2	15-1/2
H	17-1/4	20-1/4	21-1/4	26-1/2
K	2-1/4	2-1/4	2-1/4	3-1/4
L	3-3/8	3-1/4	3-1/4	4-1/4
M	2-3/8	2-1/4	2-1/4	2-1/2
N	1-7/8	2-1/4	2-1/4	2-1/2
O	11-1/8	12-3/4	12-3/4	14-1/2
Fan Dia.	9	12	12	14
Approx. Shipping Wt. (lbs.)*	34	52	74	98

Table 6.2 - Performance Data

Model Size	Heating Capacity		Air Data □			
	kW	Btu/hr	Inlet Airflow (CFM)	Temp Rise (°F)	Heat Throw (ft.)	Max. Mounting Height (ft.)
30	3	10,200	380	25	12	8
50	5	17,100	380	42	12	8
75	7.5	25,600	530	45	14	8
100	10	34,100	830	38	20	9
125	12.5	42,700	830	48	20	10
150	15	51,200	830	57	20	10
200	20	68,200	1300	49	25	11
250	25	85,300	1300	61	25	12

□ With 70°F ambient air, and louvers directed to the floor at 45°.

Table 6.3 - Motor Specifications

Model Size	HP	Voltage	RPM	Motor Type	Bearing Type
30 - 75	1/40	208-230V/60Hz/1ph	1550	Totally Enclosed, Shaded Pole, Thermal Overload Protection	Sleeve
100 - 250	1/15		1050		

GENERAL MAINTENANCE / TROUBLESHOOTING

! WARNING

1. When servicing or repairing this equipment, use only factory approved service replacement parts. A complete replacement parts list may be obtained by contacting Modine Manufacturing Company. Parts not approved by the factory will be at the owner's risk.
2. Do not operate any heater if it malfunctions. Disconnect power at service panel and have heater inspected by a qualified installation and service agency.

Replacement parts can be obtained from Modine by submitting the model number, power code, control code and serial number shown on the rating plate attached to the unit, along with a description of the part.

Routine Unit Maintenance

Under average conditions, it is recommended that unit heaters be serviced at least once a year and checked out prior to the heating season. In excessively dirty atmospheres, service should be performed more often.

1. **Disconnect power supply to the unit before performing any of the following maintenance or inspection procedures & allow heating element of heater to cool.**
2. Check all components and wiring inside the unit for firm connections and/or wear.

! CAUTION

Do not reuse any electrical component which has been wet. Such component must be replaced.

NOTE: To check most of the Possible Remedies in the trouble-shooting guide listed in Table 7.1, refer to the applicable sections of the manual.

3. Tighten fan guard and motor bracket. Check fan for proper clearance, free rotation, and firm connection to motor shaft. Clean fan blade with detergent or compressed air.
4. Fan motor is permanently lubricated for normal operation. Under severe conditions, lubricate with non-detergent SAE 20 motor oil.
5. Routine cleaning of the unit casing and louvers is recommended to remove dirt, grease, or corrosive substances that may damage the finish. Rusted or corroded spots on the louvers or casing should be sanded and repainted. To remove, push louvers against retaining coil spring and pull out at opposite tapered end.
6. Check entire electrical system before every heating season.

Table 7.1 - Troubleshooting

PROBLEM	POSSIBLE CAUSE(S)	REMEDY
Unit does not operate	<ol style="list-style-type: none"> 1. Electric circuit in open position. 2. Blown fuses in control compartment. 3. Defective or incorrect wiring. 4. Defective thermostat or switch. 5. Defective or burned out control transformer. 	<ol style="list-style-type: none"> 1. a. Turn on switch or thermostat. b. Move thermostat to higher setting. c. Replace fuse or reset disconnect switch. 2. Replace fuses. 3. Check wiring and connections. Refer to diagram inside control panel. 4. Check continuity with volt-ohmmeter. Replace defective part if necessary. 5. Check secondary voltage with voltmeter. Replace if necessary.
Fan operates but element does not heat	<ol style="list-style-type: none"> 1. Power interrupted by overheat control. 2. Summer-winter switch in summer position. 3. Defective or incorrect wiring. 4. Blown element fuses on HER200 and HER250 w/208 or 240V-3Ø power supply. 	<ol style="list-style-type: none"> 1. a. Not enough air volume over elements. Louvers must be open at least 45°. b. Check motor rpm against nameplate rating. Replace motor if speed is too slow. c. Defective limit control. Check wiring and connections. Check continuity through control. Replace if necessary. 2. Change switch position. 3. Check all wiring and connections. See diagram inside control compartment. 4. Replace element fuses.
Elements heat but fan does not operate	<ol style="list-style-type: none"> 1. Fan motor failure. 2. Summer-winter switch defective or improperly wired. 3. Defective or incorrect wiring. 	<ol style="list-style-type: none"> 1. a. Check for loose electrical connections. Check wiring with diagram in control compartment. b. Repair or replace burned out defective motor. c. Voltage too high or too low. Check voltage with voltmeter. 2. Check for continuity with volt-ohmmeter. Replace if necessary. 3. Check all wiring and connections. See diagram inside control compartment.
Insufficient heat	<ol style="list-style-type: none"> 1. Too few units for heat loss. 2. Unit mounted too high. 3. Fan operates backwards. 4. Burned out element. 	<ol style="list-style-type: none"> 1. Add more units or increase size of units. 2. Lower units. 3. Repair, replace motor or reverse fan rotation. 4. Disconnect internal wiring and check element resistance with ohmmeter.

COMMERCIAL WARRANTY

Seller warrants its products to be free from defects in material and workmanship, EXCLUSIVE, HOWEVER, of failures attributable to the use of materials substituted under emergency conditions for materials normally employed. This warranty covers replacement of any parts furnished from the factory of Seller, but does not cover labor of any kind and materials not furnished by Seller, or any charges for any such labor or materials, whether such labor, materials or charges thereon are due to replacement of parts, adjustments, repairs, or any other work done. This warranty does not apply to any equipment which shall have been repaired or altered outside the factory of Seller in any way so as, in the judgment of Seller, to affect its stability, nor which has been subjected to misuse, negligence, or operating conditions in excess of those for which such equipment was designed. This warranty does not cover the effects of physical or chemical properties of water or steam or other liquids or gases used in the equipment.

BUYER AGREES THAT SELLER'S WARRANTY OF ITS PRODUCTS TO BE FREE FROM DEFECT IN MATERIAL AND WORKMANSHIP, AS LIMITED HEREIN, SHALL BE IN LIEU OF AND EXCLUSIVE OF ALL OTHER WARRANTIES, EITHER EXPRESS OR IMPLIED, WHETHER ARISING FROM LAW, COURSE OF DEALING, USAGE OF TRADE, OR OTHERWISE, **THERE ARE NO OTHER WARRANTIES, INCLUDING WARRANTY OF MERCHANTABILITY OR FITNESS FOR PURPOSE, WHICH EXTEND BEYOND THE PRODUCT DESCRIPTION CONFIRMED BY BUYER AND SELLER AS OF THE DATE OF FINAL AGREEMENT.**

This warranty is void if the input to the product exceeds the rated input as indicated on the product serial plate by more than 5% on gas-fired and oil-fired units, or if the product in the judgment of SELLER has been installed in a corrosive atmosphere, or subjected to corrosive fluids or gases, been subjected to misuse, negligence, accident, excessive thermal shock, excessive humidity, physical damage, impact, abrasion, unauthorized alterations, or operation contrary to SELLER'S printed instructions, or if the serial number has been altered, defaced or removed.

BUYER'S REMEDY FOR BREACH OF WARRANTY, EXCLUSIVE OF ALL OTHER REMEDIES PROVIDED BY LAW, IS LIMITED TO REPAIR OR REPLACEMENT AT THE FACTORY OF SELLER, ANY COMPONENT WHICH

SHALL, WITHIN THE APPLICABLE WARRANTY PERIOD DEFINED HEREIN AND UPON PRIOR WRITTEN APPROVAL, BE RETURNED TO SELLER WITH TRANSPORTATION CHARGES PREPAID AND WHICH THE EXAMINATION OF SELLER SHALL DISCLOSE TO HAVE BEEN DEFECTIVE; EXCEPT THAT WHEN THE PRODUCT IS TO BE USED BY BUYER AS A COMPONENT PART OF EQUIPMENT MANUFACTURED BY BUYER, BUYER'S REMEDY FOR BREACH, AS LIMITED HEREIN, SHALL BE LIMITED TO ONE YEAR FROM DATE OF SHIPMENT FROM SELLER. FOR GAS-FIRED PRODUCTS INSTALLED IN HIGH HUMIDITY APPLICATIONS AND UTILIZING STAINLESS STEEL HEAT EXCHANGERS, BUYER'S REMEDY FOR BREACH, AS LIMITED HEREIN, SHALL BE LIMITED TO TEN YEARS FROM DATE OF SHIPMENT FROM SELLER.

These warranties are issued only to the original owner-user and cannot be transferred or assigned. No provision is made in these warranties for any labor allowance or field labor participation. Seller will not honor any expenses incurred in its behalf with regard to repairs to any of Seller's products. No credit shall be issued for any defective part returned without proper written authorization (including, but not limited to, model number, serial number, date of failure, etc.) and freight prepaid.

OPTIONAL SUPPLEMENTAL WARRANTY

Provided a supplemental warranty has been purchased, Seller extends the warranty herein for an additional four (4) years on certain compressors. Provided a supplemental warranty has been purchased, Seller extends the warranty herein for an additional four (4) years or nine (9) years on certain heat exchangers.

EXCLUSION OF CONSUMABLES & CONDITIONS BEYOND SELLER'S CONTROL

The above referenced warranty shall not be applicable to any of the following items: refrigerant gas, belts, filters, fuses and other items consumed or worn out by normal wear and tear or conditions beyond Seller's control, including (without limitation as to generality) polluted or contaminated or foreign matter contained in the air or water utilized for heat exchanger (condenser) cooling or if the failure of the part is caused by improper air or water supply, or improper or incorrect sizing of power supply.

Component Applicable Models	"APPLICABLE WARRANTY PERIOD"
<u>Heat Exchangers</u> Gas-Fired Units except PSH/BSH	TEN YEARS FROM DATE OF FIRST BENEFICIAL USE BY BUYER OR ANY OTHER USER, WITHIN TEN YEARS FROM DATE OF RESALE BY BUYER OR ANY OTHER USER, WITHIN TEN YEARS FROM DATE OF RESALE BY BUYER IN ANY UNCHANGED CONDITION, OR WITHIN ONE HUNDRED TWENTY-SIX MONTHS FROM DATE OF SHIPMENT FROM SELLER, WHICHEVER OCCURS FIRST
<u>Heat Exchangers</u> Low Intensity Infrared Units <u>Compressors</u> Condensing Units for Cassettes	FIVE YEARS FROM DATE OF FIRST BENEFICIAL USE BY BUYER OR ANY OTHER USER, WITHIN FIVE YEARS FROM DATE OF RESALE BY BUYER OR ANY OTHER USER, WITHIN FIVE YEARS FROM DATE OF RESALE BY BUYER IN ANY UNCHANGED CONDITION, OR WITHIN SIXTY-SIX MONTHS FROM DATE OF SHIPMENT FROM SELLER, WHICHEVER OCCURS FIRST
<u>Burners</u> Low Intensity Infrared Units <u>Other</u> Components excluding Heat Exchangers, Coils, Condensers, Burners, Sheet Metal	TWO YEARS FROM DATE OF FIRST BENEFICIAL USE BY BUYER OR ANY OTHER USER, WITHIN TWO YEARS FROM DATE OF RESALE BY BUYER IN ANY UNCHANGED CONDITION, OR WITHIN THIRTY MONTHS FROM DATE OF SHIPMENT FROM SELLER, WHICHEVER OCCURS FIRST
<u>Heat Exchangers/Coils</u> Indoor and Outdoor Duct Furnaces and System Units, PSH/BSH, Steam/Hot Water Units, Oil-Fired Units, Electric Units, Cassettes, Vertical Unit Ventilators <u>Compressors</u> Vertical Unit Ventilators <u>Burners</u> High Intensity Infrared Units <u>Sheet Metal Parts</u> All Products	ONE YEAR FROM DATE OF FIRST BENEFICIAL USE BY BUYER OR ANY OTHER USER, WITHIN ONE YEAR FROM DATE OF RESALE BY BUYER IN ANY UNCHANGED CONDITION, OR WITHIN EIGHTEEN MONTHS FROM DATE OF SHIPMENT FROM SELLER, WHICHEVER OCCURS FIRST

As Modine Manufacturing Company has a continuous product improvement program, it reserves the right to change design and specifications without notice.



Modine Manufacturing Company
 1500 DeKoven Avenue
 Racine, WI 53403
 Phone: 1.800.828.4328 (HEAT)
 www.modinehvac.com