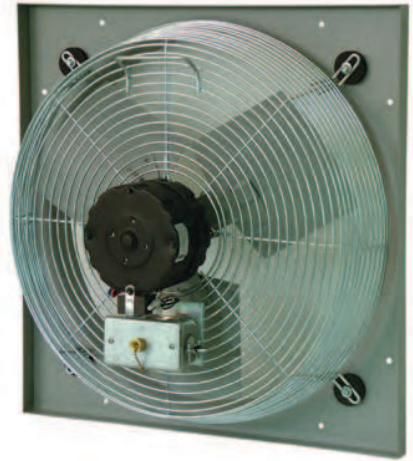


Venturi Mounted Direct Drive Exhaust Fans

Features

- Can be installed from inside wall
- Can be used with external shutter
- Pull chain switch
- No Cord-Junction box provided for direct wiring
- Aluminum blade
- Steel spiral wire guards



Motor Specifications

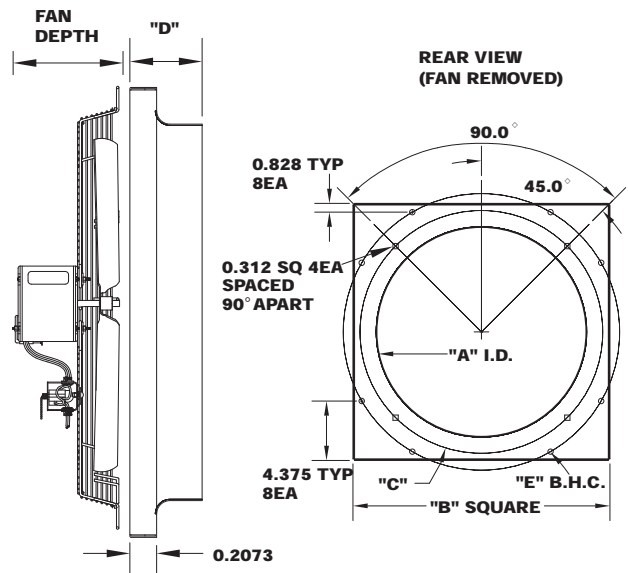
- 120V, 1-Phase, totally enclosed, permanently lubricated
 - 1/12 HP motor is 3-Speed sleeve bearing permanent split capacitor
 - 1/8 HP motor is 3-Speed sleeve bearing permanent split capacitor
 - 1/4 HP motor is 2-Speed ball bearing permanent split capacitor
- Note: Rough-in hole size is 1/2" inch larger than fan blade size

Standard Models

FAN SIZE	UPC# 686334	MODEL	HP	CFM / RPM			AMPS HIGH	WT. (LBS)
				HIGH	MED	LOW		
10"	869034	CE 10-DV	1/12	680 / 1560	540 / 1250	460 / 1080	1	11
12"	798662	CE 12-DV	1/12	825 / 1560	710 / 1250	560 / 1080	1.1	17
14"	869041	CE 14-DV	1/8	1520 / 1660	1400 / 1550	1250 / 1370	2	17
16"	869058	CE 16-DV	1/8	2100 / 1660	1900 / 1550	1700 / 1370	2.1	18
18"	798679	CE 18-DV	1/8	2300 / 1660	2100 / 1050	1850 / 1370	2.2	26
20"	869065	CE 20-DV	1/4	2925 / 1140	-	2380 / 1070	2.3	34
24"	798686	CE 24-DV	1/4	3400 / 1140	-	2770 / 1070	2.5	48
30"	798693	CE 30-DV	1/4	3950 / 1140	-	3080 / 1070	2.7	55

Dimensions (Inches)

SIZE	DEPTH	DIMENSIONS				
		"A"	"B"	"C"	"D"	"E"
10"	5.81"	10.250"	12.63"	12.375"	2.000"	12.875"
12"	7.18"	12.250"	14.50"	14.375"	2.000"	14.625"
14"	7.18"	14.250"	17.13"	16.375"	2.500"	17.375"
16"	7.18"	16.250"	19.13"	18.250"	2.875"	20.000"
18"	7.18"	18.125"	21.00"	21.750"	2.750"	22.875"
20"	7.18"	20.250"	23.13"	23.686"	2.750"	25.625"
24"	7.18"	24.250"	29.50"	27.750"	2.875"	27.875"
30"	7.18"	30.250"	33.50"	33.750"	2.875"	33.875"



Optional Wall Shutters

FAN SIZE	UPC# 686334	MODEL	DIMENSIONS		WT. (LBS)
			WIDTH	LENGTH	
10"	868433	CES-10G	13.13"	13.13"	5.0
12"	798556	CES-12G	15.13"	15.13"	5.5
14"	868457	CES-14G	17.13"	17.13"	6.5
16"	851473	CES-16G	19.00"	19.00"	8.0
18"	798563	CES-18G	21.13"	21.13"	9.0
20"	797528	CES-20G	23.13"	23.13"	10.0
24"	798570	CES-24G	27.13"	27.13"	13.0
30"	798587	CES-30G	33.13"	33.13"	19.0