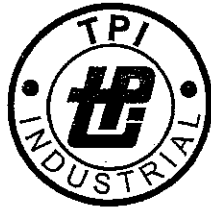


# *TPI Industrial Ceiling Fans*

## INSTALLATION INSTRUCTIONS

**READ AND SAVE THESE INSTRUCTIONS:  
NOTE TO INSTALLER: YOU ARE OBLIGATED TO PASS  
THESE INSTRUCTIONS ON TO BUILDING MAINTENANCE  
OR LOCATION SUPERVISOR**



### TPI MODELS

**HDHR-60**

**HDHR-56**

**IHR-56**

**IHR-56-R**

**IHR-48**

**HDHR-60WR**

**HDHR-56WR**

**HDHR-56-220V**



*File 157644  
LR 101892*



# **WARRANTY PROVISIONS**

**"THANK YOU"** FOR PURCHASING AN TPI PRODUCT. IT IS OUR POLICY TO FURNISH YOU WITH HIGH QUALITY PRODUCTS AT A FAIR PRICE. WITH PROPER INSTALLATION, YOUR FAN SHOULD PROVIDE YOU WITH YEARS OF MONEY SAVING COMFORT.

THIS FAN IS GUARANTEED TO BE FREE FROM DEFECTS IN WORKMANSHIP AND MATERIAL FOR A PERIOD AS INDICATED BASED UPON MODEL CHOSEN FROM DATE OF PURCHASE. ANY DEFECTIVE PRODUCT SHOULD BE RETURNED TO YOUR RETAIL OUTLET ALONG WITH PROOF OF PURCHASE. FOR THE BALANCE OF THE WARRANTY THE MOTOR WINDINGS ONLY SHALL BE FREE OF DEFECTS. WE WILL CORRECT SUCH DEFECTS OR REPLACE THE MOTOR AT OUR OPTION IF THE PRODUCT IS RETURNED FREIGHT PREPAID TO TPI.

ALL COSTS OF REMOVING AND RE-INSTALLING THE PRODUCT ARE YOUR RESPONSIBILITY, DAMAGE TO ANY PART SUCH AS BY ACCIDENT, MISUSE, IMPROPER INSTALLATION, OR BY AFFIXING ANY ACCESSORIES IS NOT COVERED BY THIS WARRANTY. AS A RESULT OF VARYING CLIMATIC CONDITIONS THIS WARRANTY DOES NOT COVER ANY CHANGES IN FINISHES, INCLUDING RUSTING, PITTING, CORRODING, TARNISHING, OF PEELING.

WARRANTY VOID: IN CASES OF ALTERATION, ABUSE, INSTALLATION NOT IN ACCORDANCE WITH INSTRUCTIONS OR REMOVAL OF THE C.S.A. STICKER.

NOTE: TPI DOES NOT RECOMMEND THE CHANGING OF DOWNRODS ON INDUSTRIAL CEILING FANS. THIS WARRANTY IS VOID IF THE DOWNROD HAS BEEN CHANGED.

## **TPI FANS**

PO Box 4973

Johnson City, TN. 37602

PH: 423-477-4131

FX: 423-477-7958

## **WARNING**

- 1). BE SURE TO SHUT OFF ELECTRICAL SUPPLY AT CIRCUIT BREAKER BEFORE INSTALLATION. THIS INSTALLATION IS TO BE IN ACCORDANCE WITH LOCAL AND NATIONAL ELECTRICAL CODES.
- 2). TO REDUCE RISK OF PERSONAL INJURY, **DO NOT** BEND THE BLADE BRACKETS WHEN INSTALLING OR CLEANING THE FAN. AL SO, **DO NOT** INSERT FOREIGN OBJECTS IN BETWEEN ROTATING BLADES
- 3). TO REDUCE THE RISK OF ELECTRICAL SHOCK OR FIRE, THIS FAN SHOULD ONLY BE USED WITH FAN SPEED CONTROLS MANUFACTURED BY K.B. ELECTRONICS INC.
- 4). ANY FIELD ALTERATION OR CHANGED DOWNRODS "**WARRANTY** **VOIDS**" ANY HANGING MECHANISM WARRANTY OR LIABILITY.

## **CAUTION**

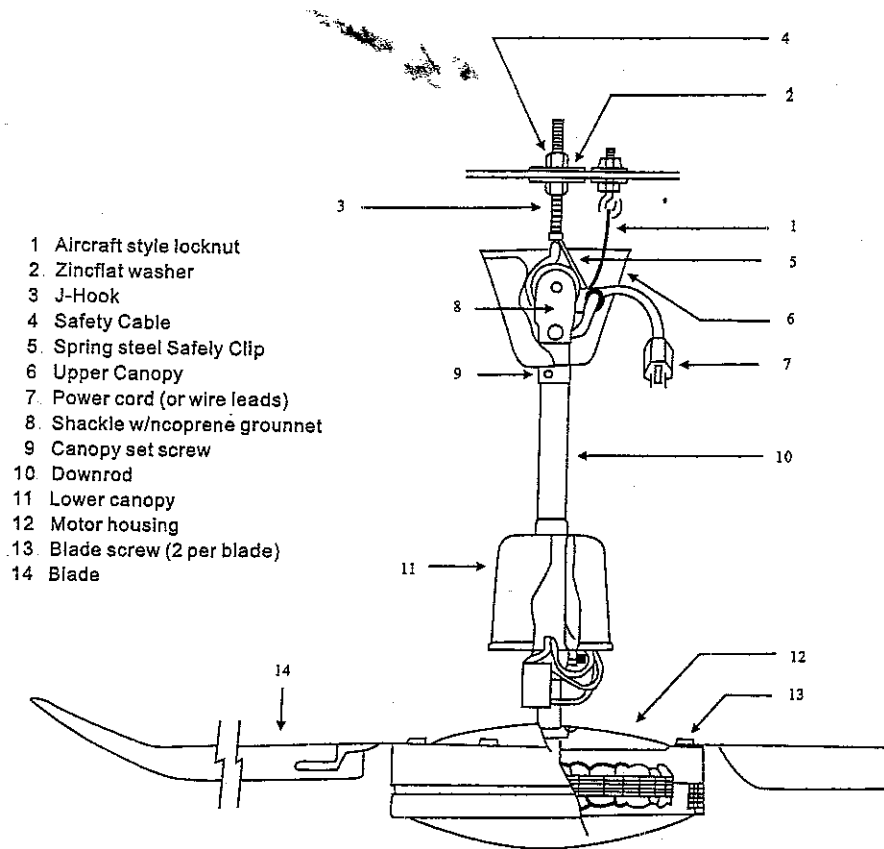
- 1). INSTALLATION WORK AND ELECTRICAL WIRING MUST BE DONE IN ACCORDANCE WITH NEC (NEPA 70) AND ALL APPLICABLE LOCAL CODES AND STANDARDS INCLUDING FIRE RATED CONSTRUCTIONS AND **MUST BE DONE BY A QUALIFIED ELECTRICIAN.**
- 2). REMOVE FAN FROM THE CARTON CAREFULLY AND CHECK FOR SHIPPING DAMAGE. CHECK BLADES FOR BENDS AND DENTS. **IN CASE ASSISTANCE IS REQUIRED, PLEASE CONTACT QUE SERVICE CENTER.**
- 3). CHECK THAT THE SUPPLY VOLTAGE CORRESPONDS TO THE RATED VOLTAGE ON MOTOR OF FAN YOU HAVE SELECTED.
- 4). DO NOT INSTALL THE FAN CLOSE TO THE DOOR ENTRANCE. ENSURE AT LEAST 3 FEET DISTANCE FROM END OF THE BLADES.
- 5). BE SURE YOU HAVE A MOISTURE RESISTANT MODEL FAN IN AN AREA WHICH WILL ALLOW FAN TO GET WET.
- 6). MOUNT THE FAN SO THAT FAN BLADES ARE AT LEAST 10 FEET OR HIGHER FROM THE FLOOR.
- 7). MAKE SURE HANGER HOOK IS MOUNTED SECURELY TO THE STRUCTURAL CEILING.
- 8). FAN IS SUITABLE FOR OPERATION ON SOLID STATE CONTROLS.
- 9). THE FAN SHALL NOT DIRECTLY BE SUPPORTED BY THE OUTLET BOX.
- 10). ALL SET SCREWS MUST BE CHECKED AND RE TIGHTENED WHERE NECESSARY AFTER INSTALLATION. NO LUBRICANTS SHOULD BE USED ON SCREWS OR HOOKS.
- 11). TO REDUCE THE RISK OF PERSONAL INJURY, INSTALL THE SAFETY CABLE (PER FIG.2).
- 12). **DO NOT** ATTACH BLADES BEFORE HANGING THE FAN.

## HANGING

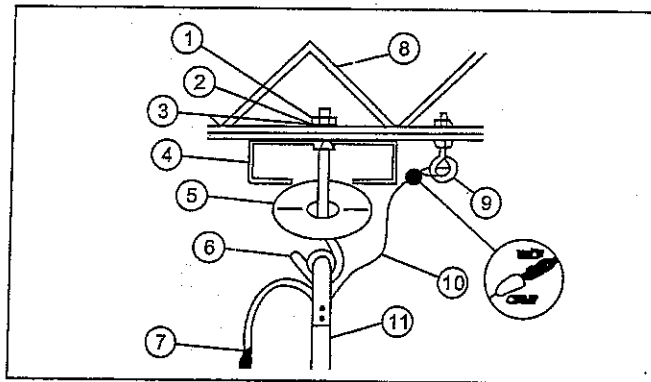
1. USING MACHINE THREADED HOOKS FOR STEEL FRAME CEILING (FIG 2)
  - A. PUT THE THREADED J-HOOK THROUGH JUNCTION BOX, WINDING HUT TO BOTTOM OF THREAD.
  - B. INSERT THE HOOK WITH THE BOX THROUGH SLIT IN BOTTOM OF OPEN WEB STEEL JOISTS.
  - C. PUT LARGE WASHER, LOCK WASHER, AND NUT ON THE HOOK LOOSELY.
  - D. SECURE SPARK PLATE ONTO JUNCTION BOX. FEED POWER WIRES THROUGH SPARK PLATE FOR EASE OF WIRING. (SPARK PLATE IS NOT NEEDED FOR FAN WITH A CORD AND PLUG).
  - E. HANG THE FAN ON THE HOOK.
  - F. TIGHTEN THE TOP LOCK WASHER AND NUT UNTIL SECURE.
  - G. INSTALL THE U-HOOK ONTO THE STEEL FRAME CEILING BESIDE THE JUNCTION BOX. CLOSE LOOP AFTER INSERTING SAFETY CABLE.

## ASSEMBLY

- 1). HANG THE FAN ONTO SUSPENSION J-HOOK.
- 2). CONNECT THE LEAD WIRES TO THE POWER SUPPLY, (SHOWN IN FIG. 3).  
**FOR CORD & PLUG FANS** . SIMPLY INSERT THE PLUG INTO THE RECEPTACLE AT THE CEILING.  
**FOR FORWARD/REVERSE MODELS** . CONNECT BLUE AND BLACK WIRES OF FAN TO LIVE RED AND WHITE WIRES TO NEUTRAL AND GREEN WIRE.  
**TO GROUND FOR DOWNDRAFT DIRECTION.** CONNECT RED AND BLACK WIRES OF FAN TO LIVE BLUE AND WHITE WIRES TO NEUTRAL AND GREEN WIRE TO GROUND.  
**FOR UPDRAFT DIRECTION. NOTE:** WIRING CONNECTIONS SHOULD BE TURNED UPWARD AND PUSHED CAREFULLY UP INTO THE OUTLET BOX.
- 3). INSERT THE SAFETY CABLE INTO THE U-HOOK THROUGH THE SLIT AND THEN CLOSE THE U-HOOK LOOP. NOTE: KNOT IN SAFETY CABLE IS THERE FOR EXTRA STRENGTH, DO NOT UNDUE KNOT.
- 4). SLIDE UP THE UPPER CANOPY AND AFFIX IT WITH THE SET SCREWS. LEAVE A MINIMUM OF 1/8" BETWEEN CEILING AND CANOPY.
- 5). MOUNT THE FAN BLADES ONTO THE MOTOR HEAD WITH SCREWS AND SPRING WASHERS (SEE FIG. 1 FOR DETAILS).
- 6.) TIGHTEN SET SCREWS ON UPPER AND LOWER CANOPYS.



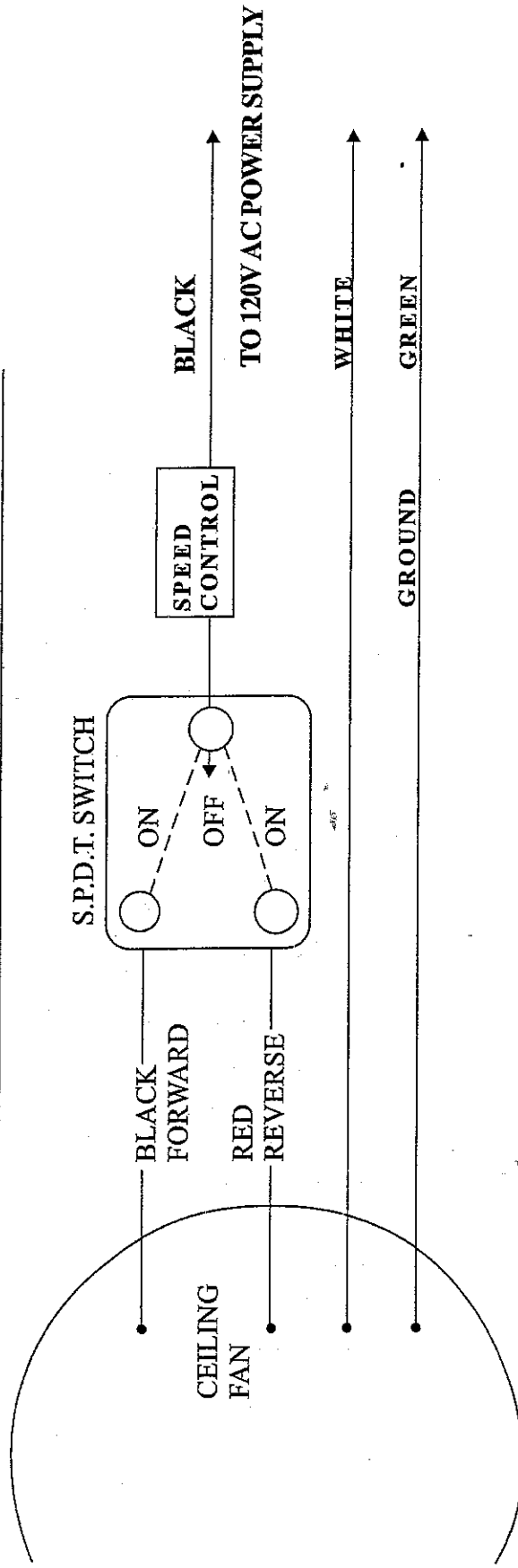
- 1 Aircraft style locknut
- 2 Zinc flat washer
- 3 J-Hook
- 4 Safety Cable
- 5 Spring steel Safety Clip
- 6 Upper Canopy
- 7 Power cord (or wire leads)
- 8 Shackle w/ncoprene grommet
- 9 Canopy set screw
- 10 Downrod
- 11 Lower canopy
- 12 Motor housing
- 13 Blade screw (2 per blade)
- 14 Blade



**REFERENCE NUMBERS:**

- 1. J-HOOK NUT
- 2. SPRING WASHER
- 3. WASHER
- 4. JUNCTION BOX (N/A FOR CORD & PLUG)
- 5. SPARK PLATE (N/A FOR CORD & PLUG)
- 6. THREADED J-HOOK
- 7. LEAD WIRES (OR CORD & PLUG)
- 8. STEEL FRAME CEILING
- 9. U-HOOK
- 10. SAFETY CABLE
- 11. DOWNROD

WIRING DIAGRAM FOR COMBINATION DOWNBLOWING AND UPBLOWING FAN



REVERSIBLE OPERATION IS ACHIEVED ONLY ON SPECIALLY WIRED FAN W/EXTRA RED LEAD

THE SINGLE THROW, DOUBLE POLE SWITCH IS THREE POSITION ON-OFF-ON

5 AMP COMBO REVERSING SPEED CONTROL MODEL #HR-SS-3 AVAILABLE FOR UP TO

4 CEILING FANS, CALL FOR DETAILS PHONE NUMBER 423-477-4131

# MAINTENANCE SCHEDULE

Your HRS ceiling fan should be inspected and cleaned every six months. Be sure to check the following:

- a) J-hook is securely fastened to ceiling joist
- b) clevis pin and nut connecting shackle to downrod are tight
- c) clevis pin and nut connecting downrod to motor yoke are tight
- d) blades are secured to motor
- e) safety cable and/or spring steel safety clip (on j-hook) is securely fastened

## MAINTENANCE LOG

Date	Inspector	Remarks

### TROUBLE SHOOTING TIPS

**If fan will not start, check the following:**

- + fuses and circuit breakers
- + wiring connection to fan
- + wiring connection in fan

**If fan sounds noisy, check the following:**

- + all casting screws are securely fastened
- + all blade screws are securely fastened
- + control style: solid state controls can
- + cause an A/C hum at low speeds

**If fan wobbles, check the following:**

- + all blades are securely fastened to motor
- + all blades are an even distance from ceiling
- + upper canopy is not touching ceiling (leave 1/8" gap from finished ceilings).
- + J-Hook is secure